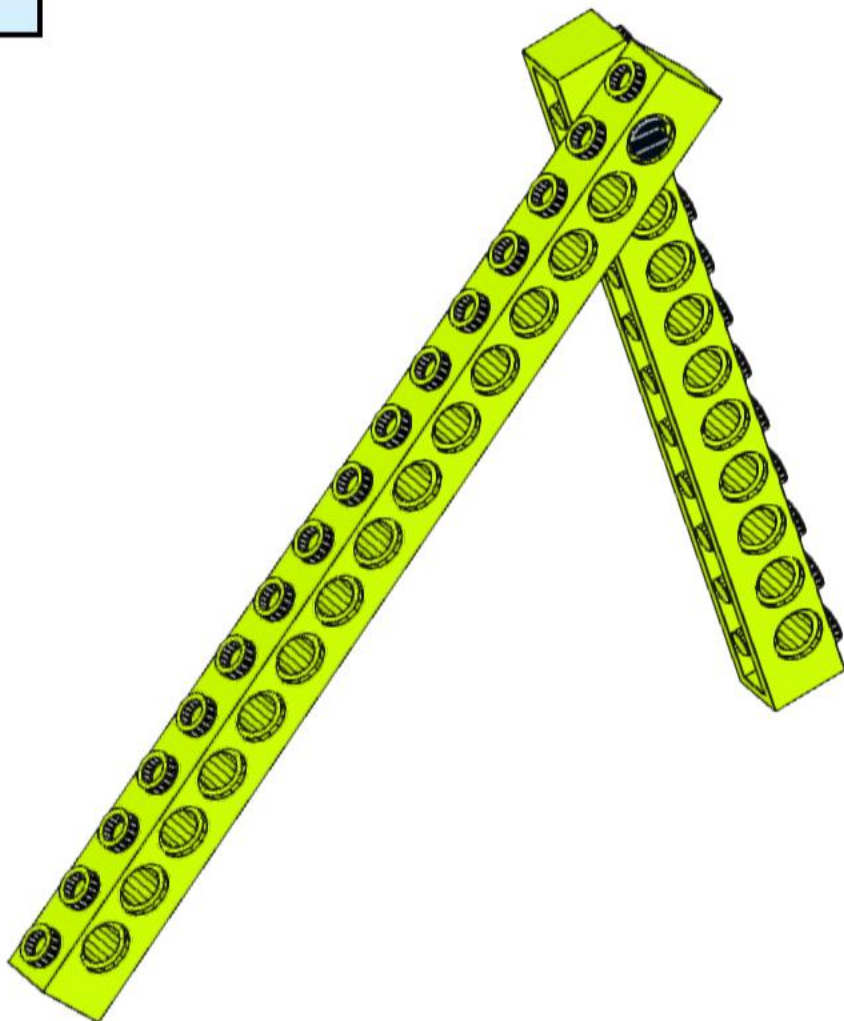
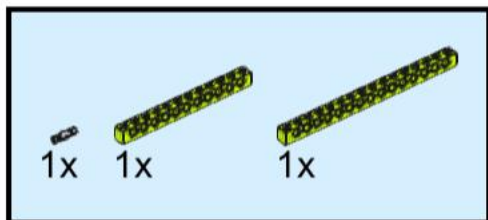
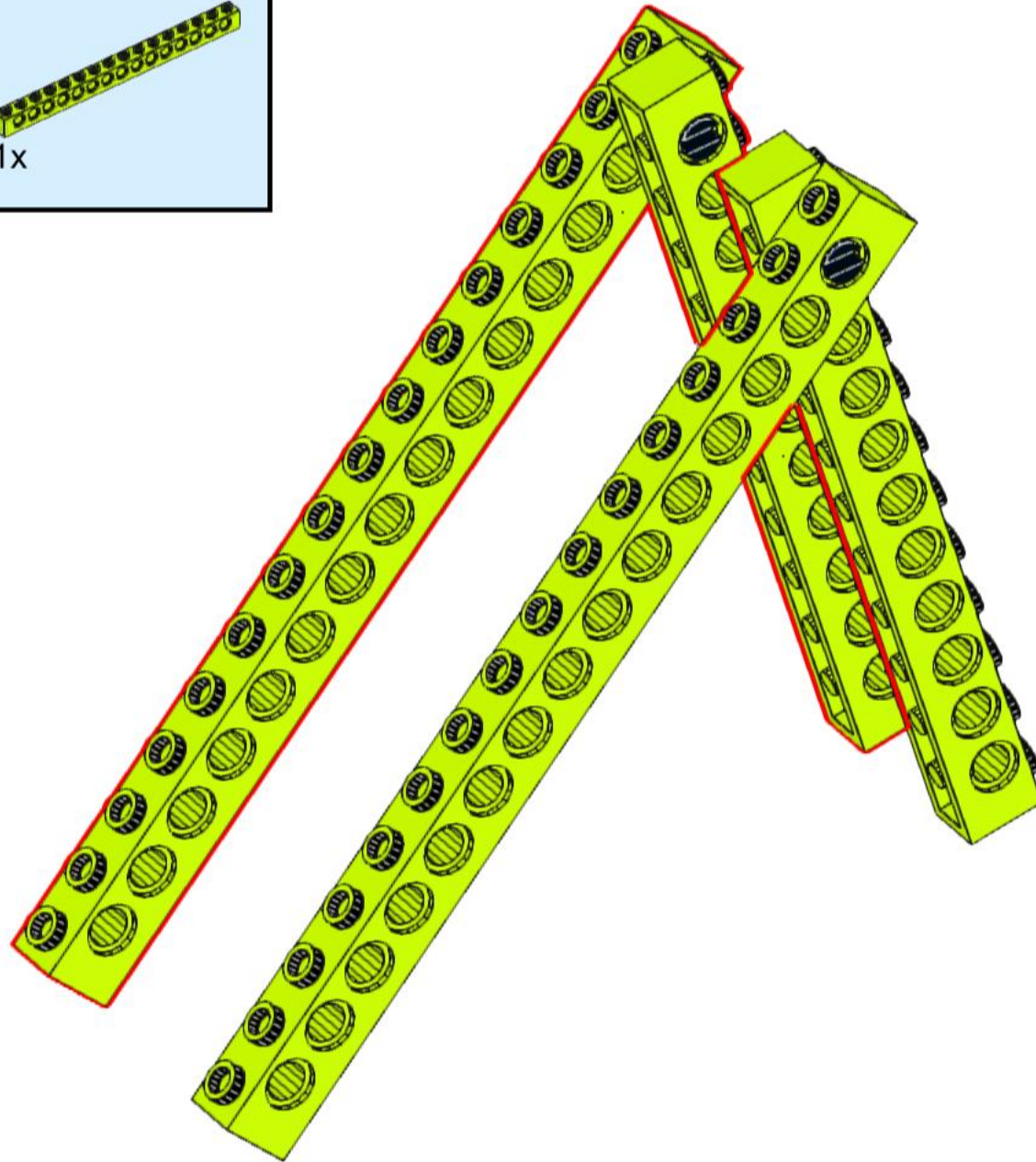
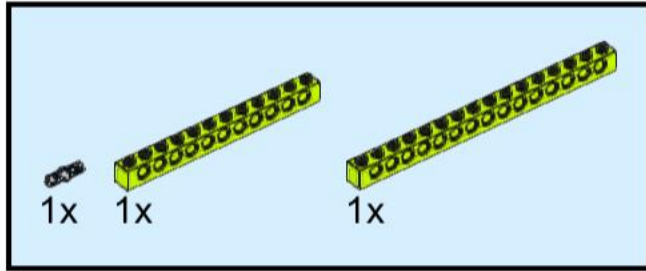


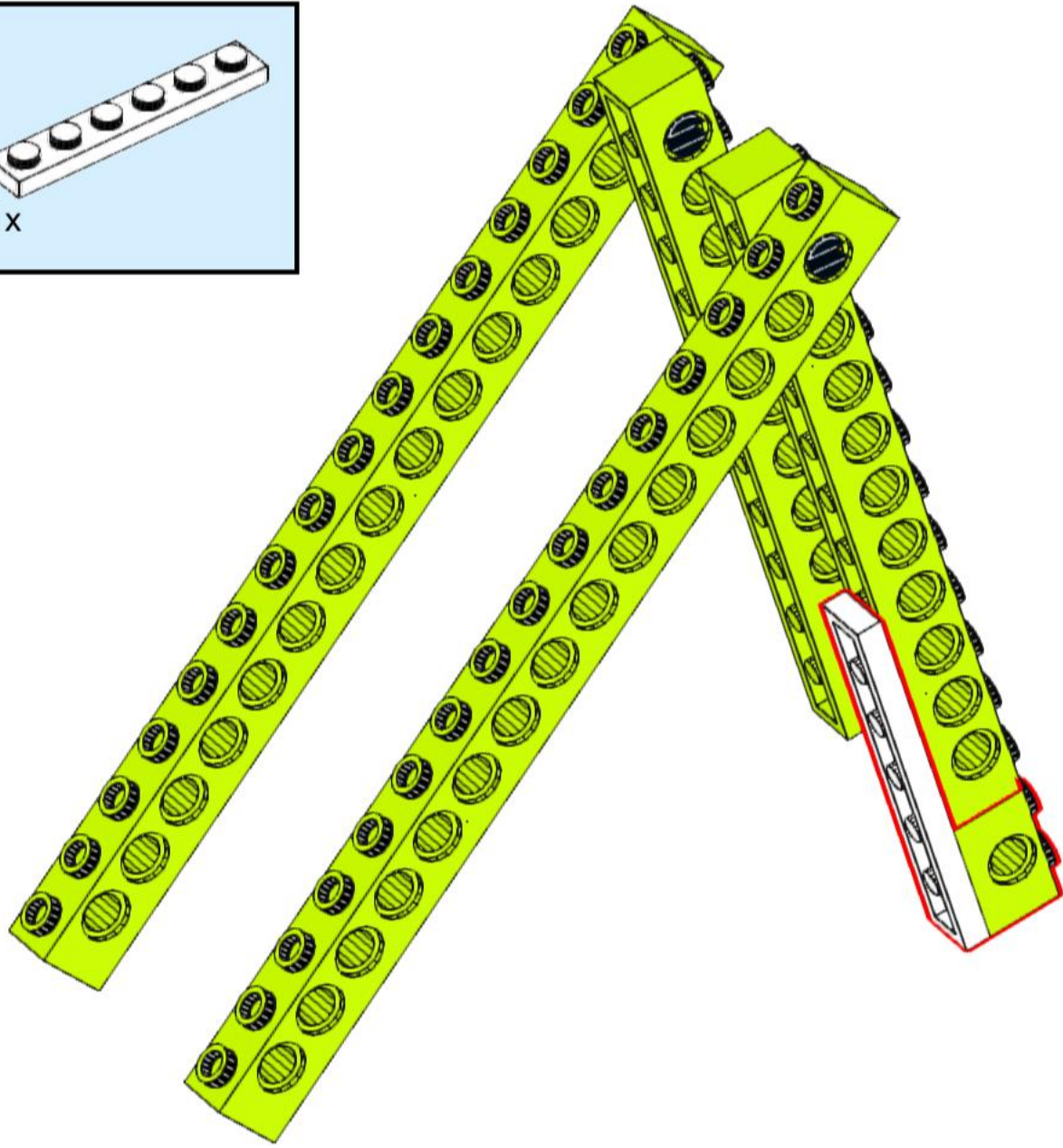
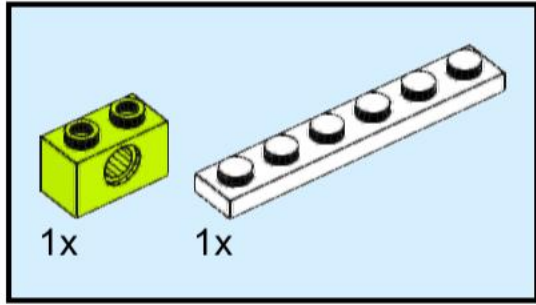
1



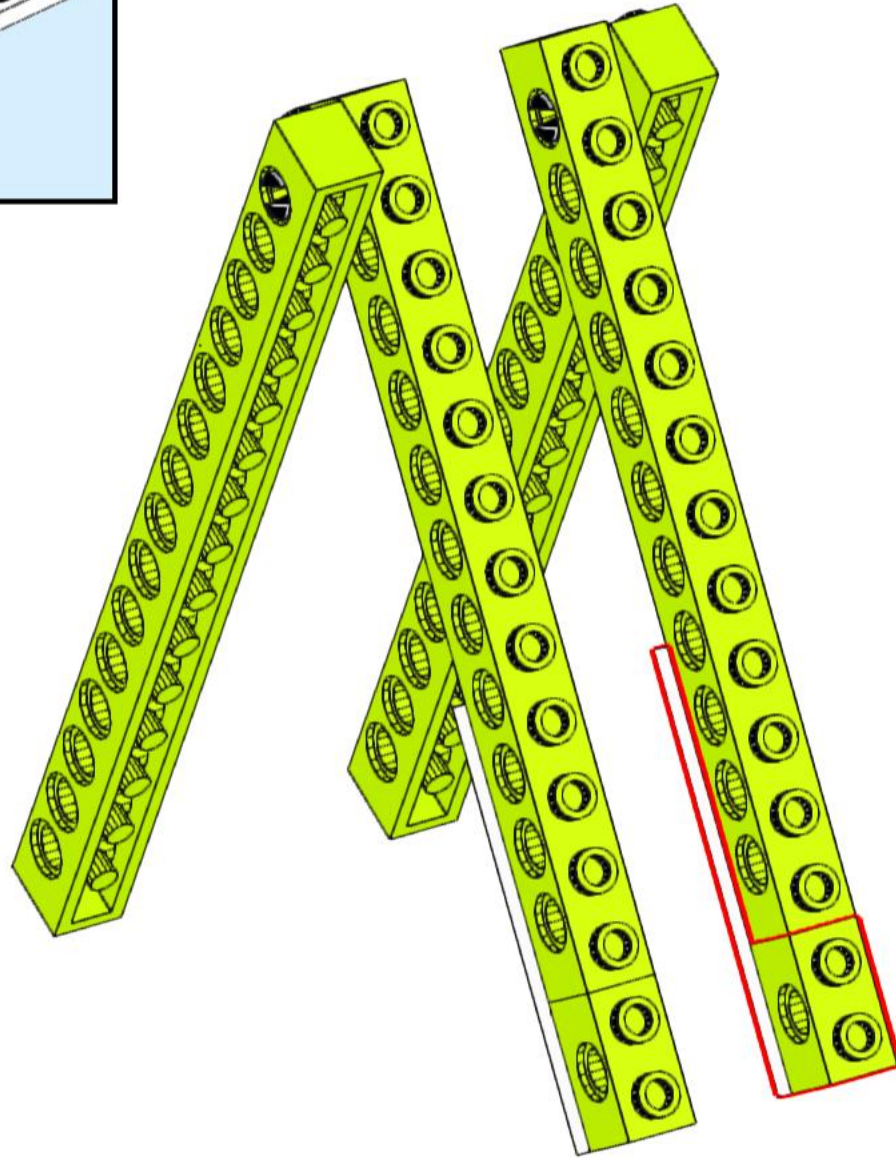
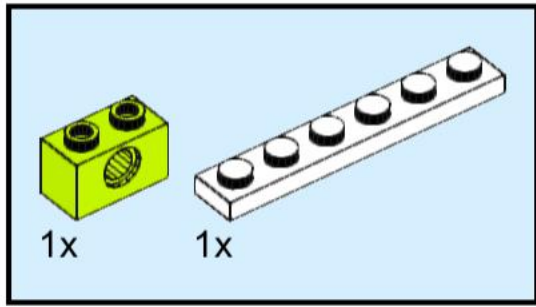
2



3

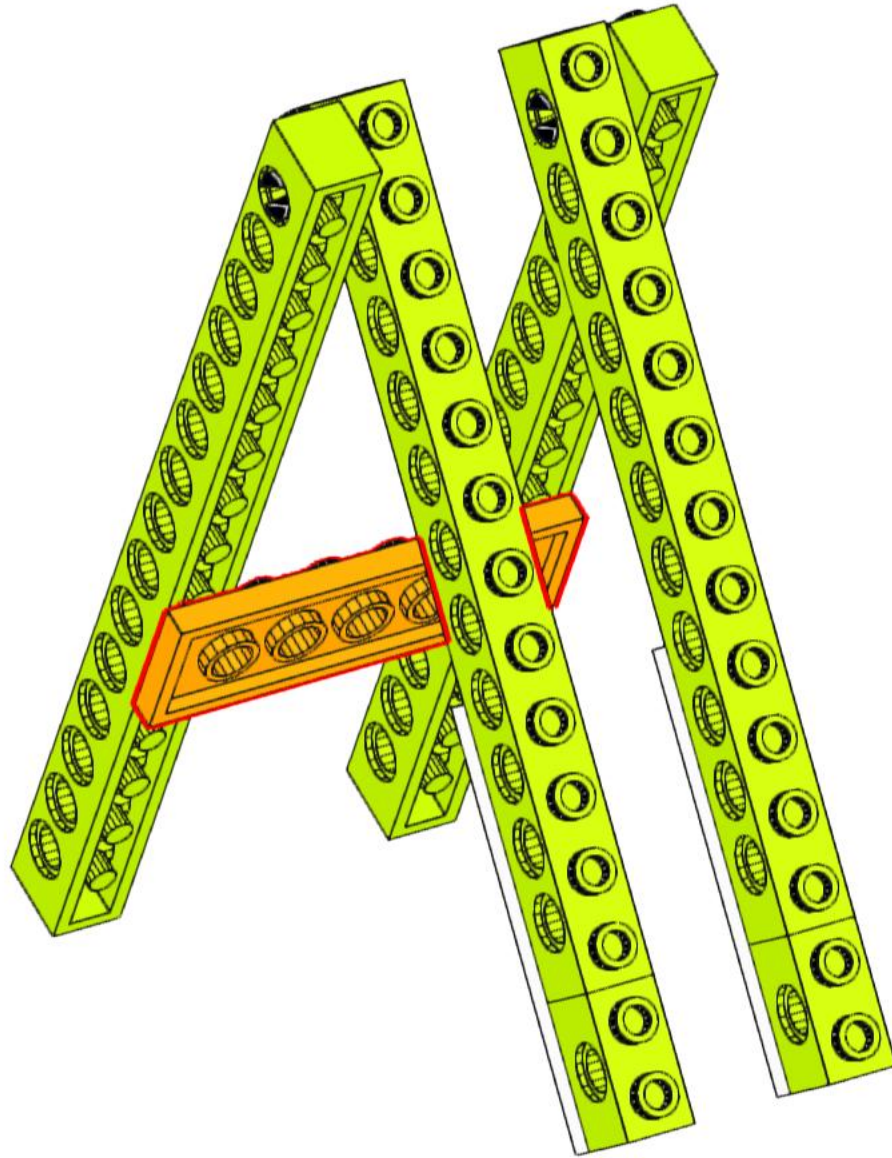
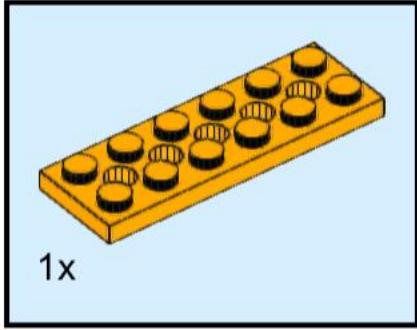


4

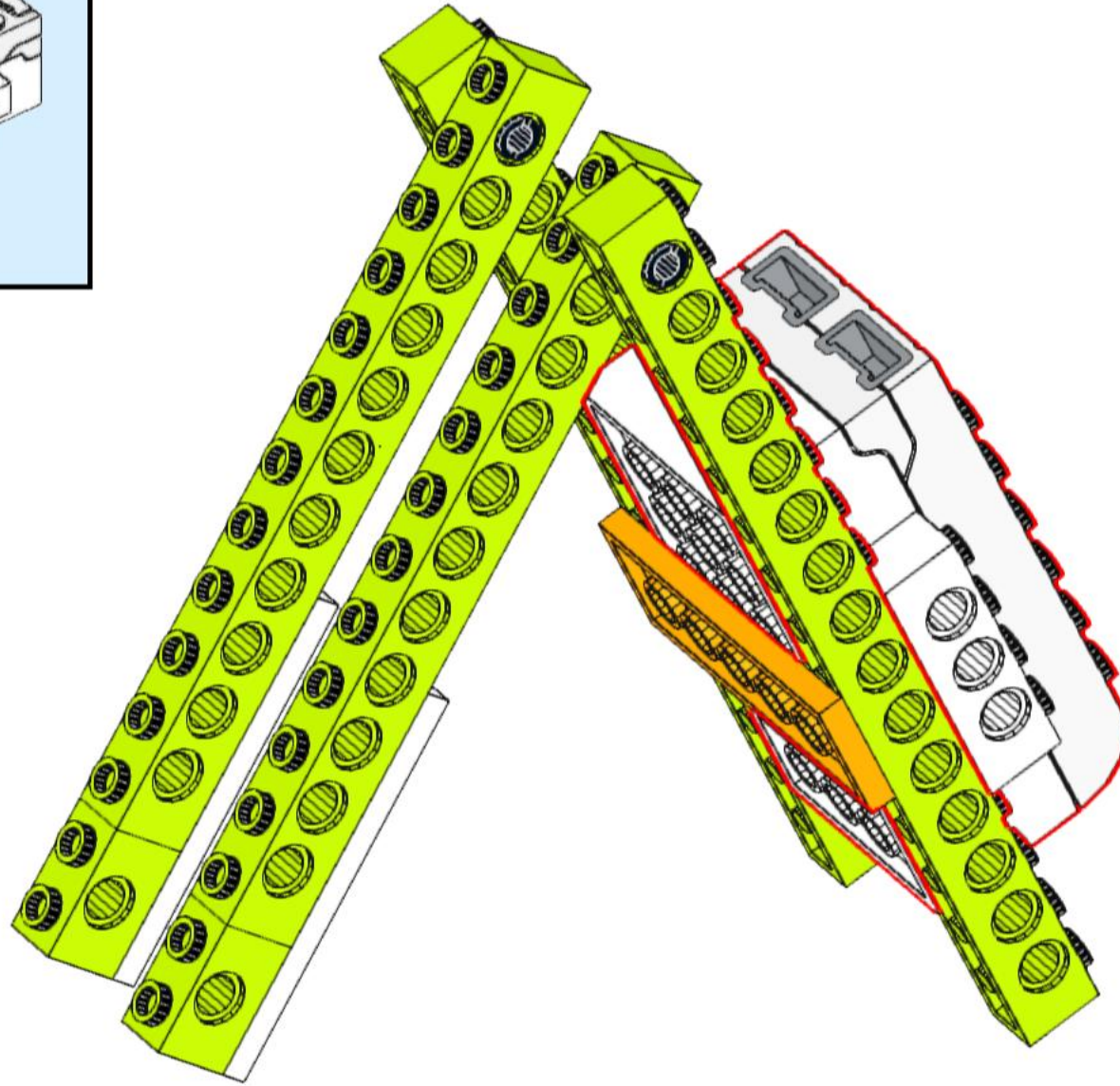
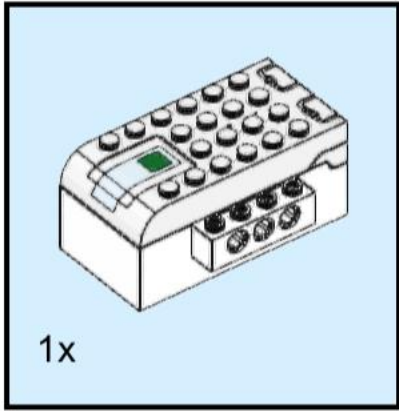




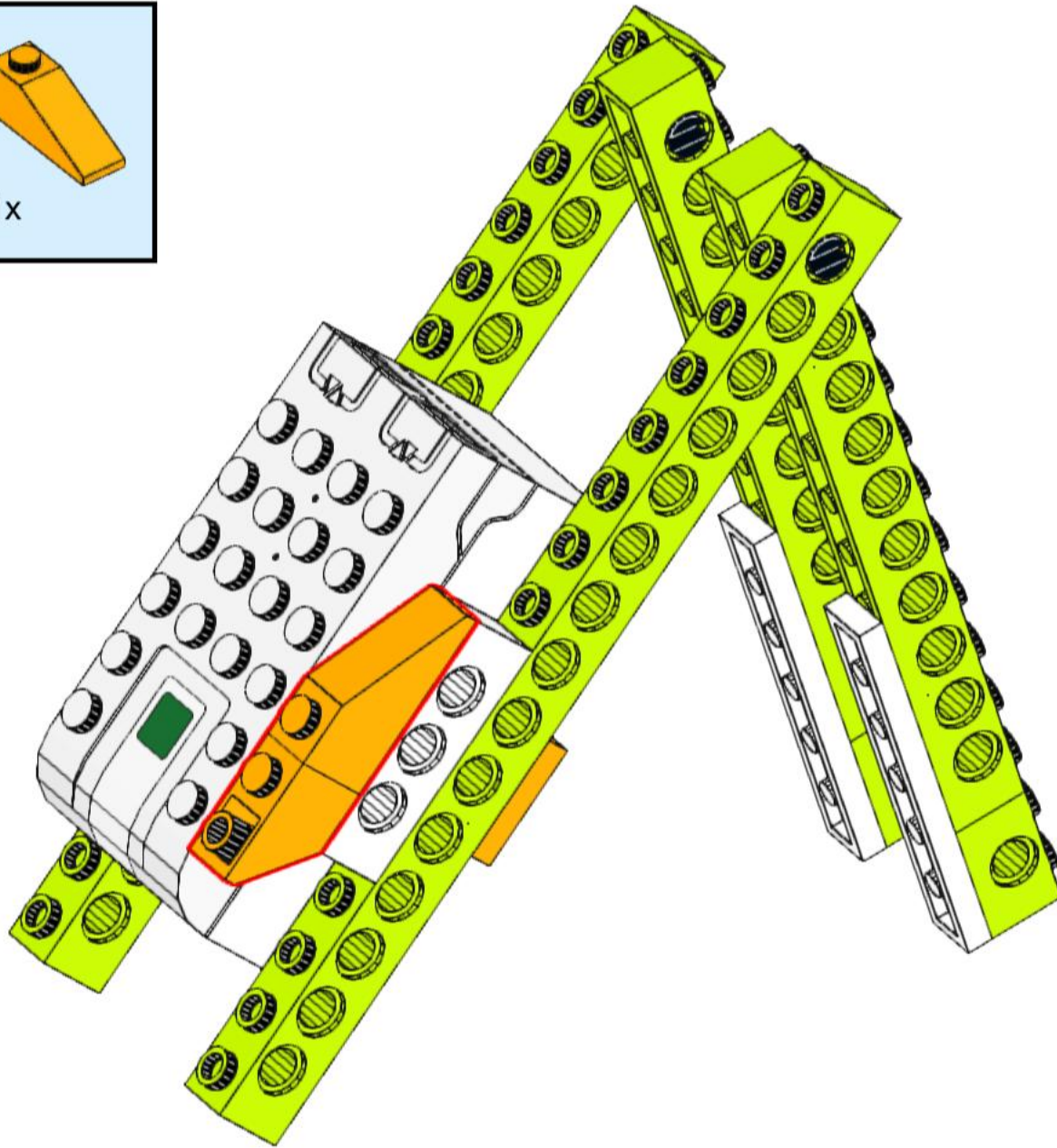
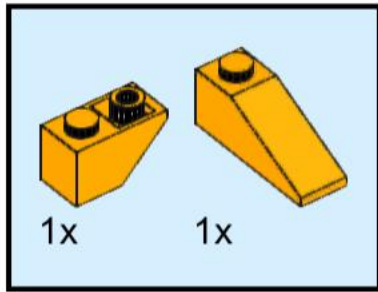
5



6

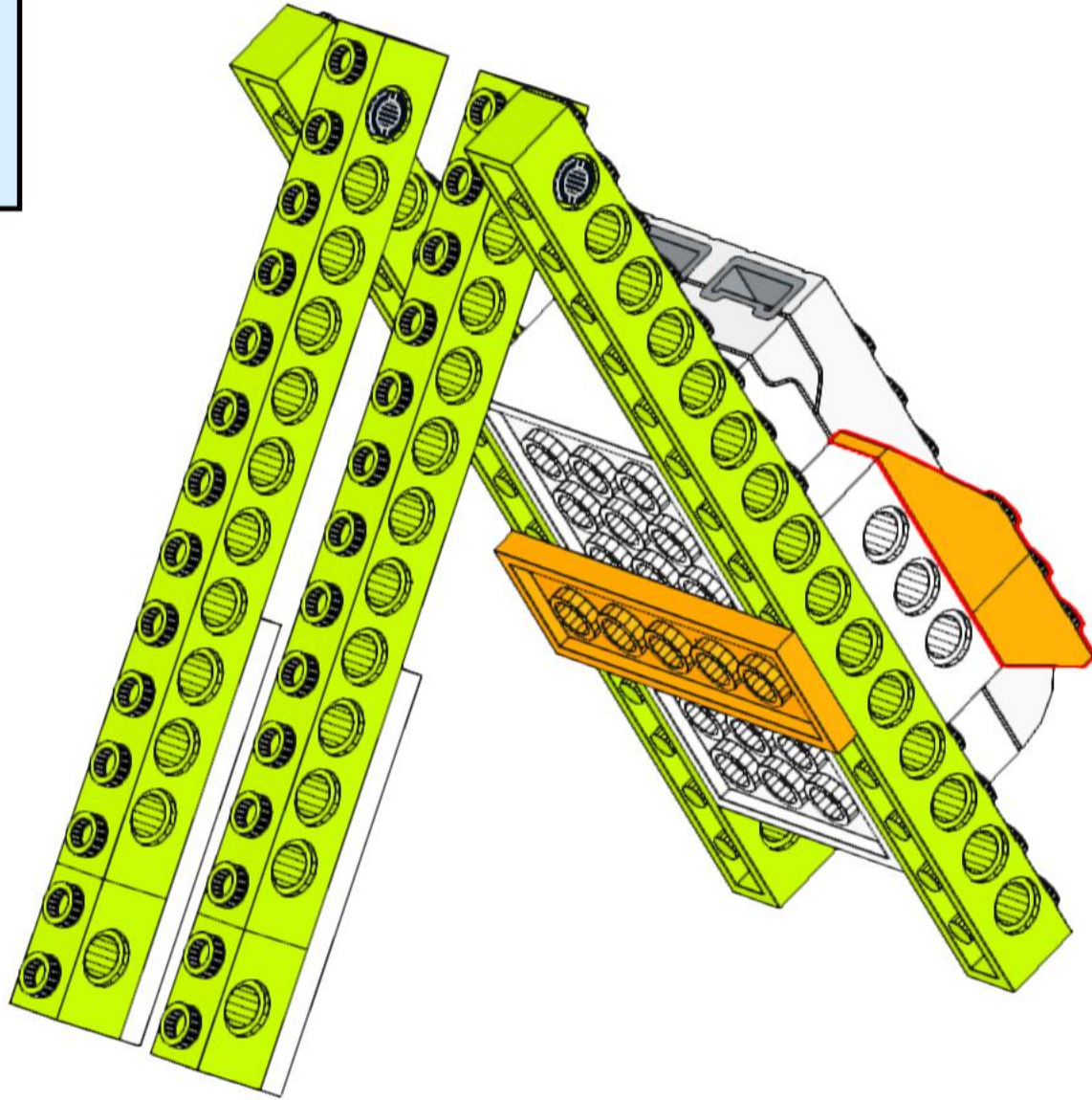
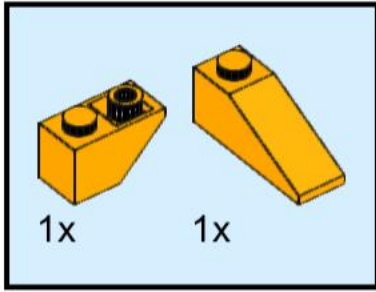


7



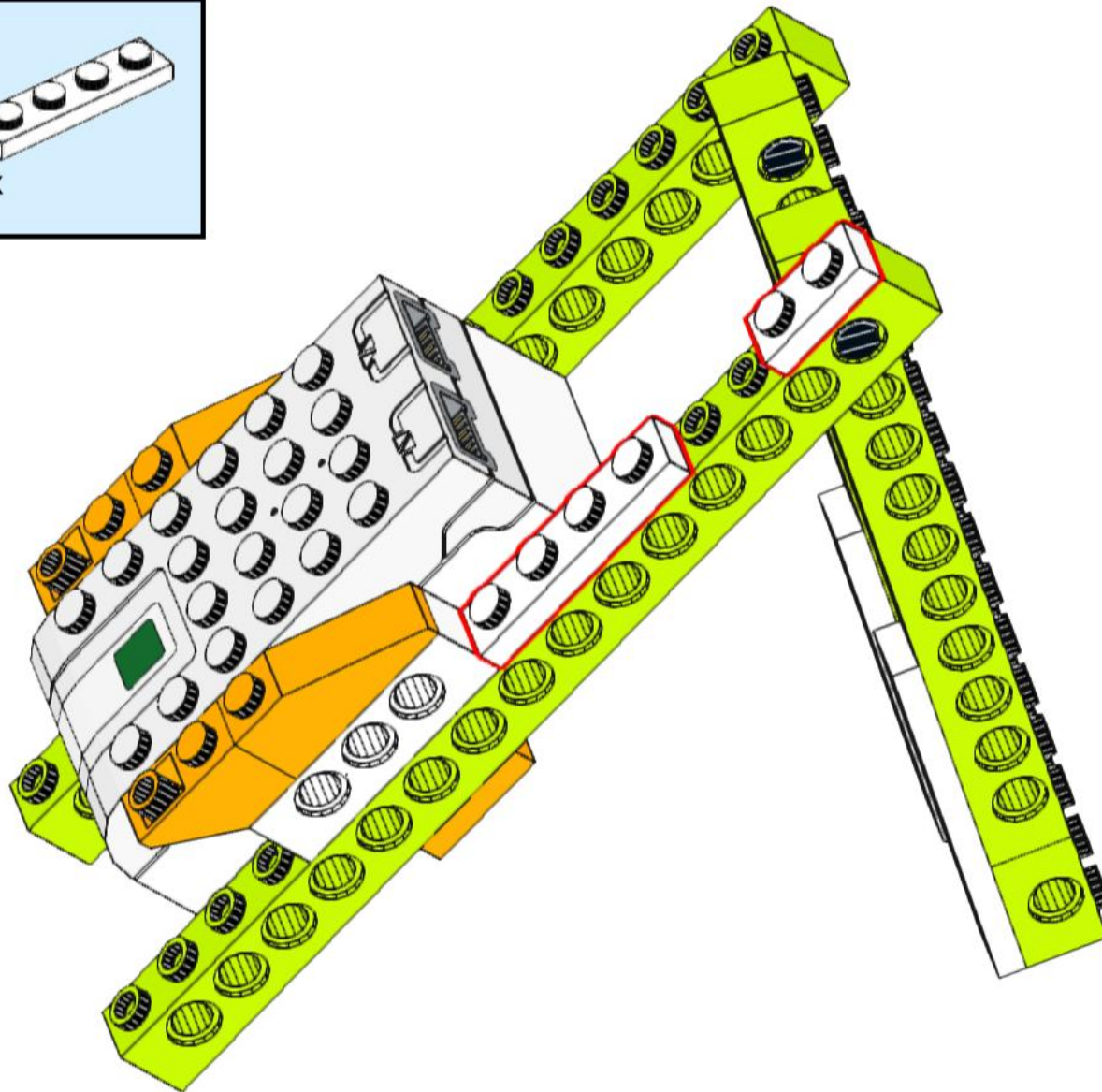
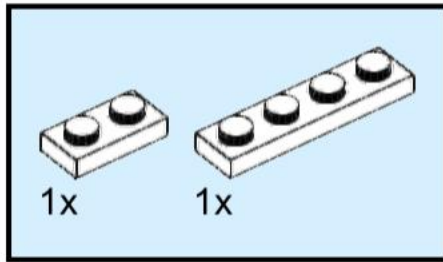


8

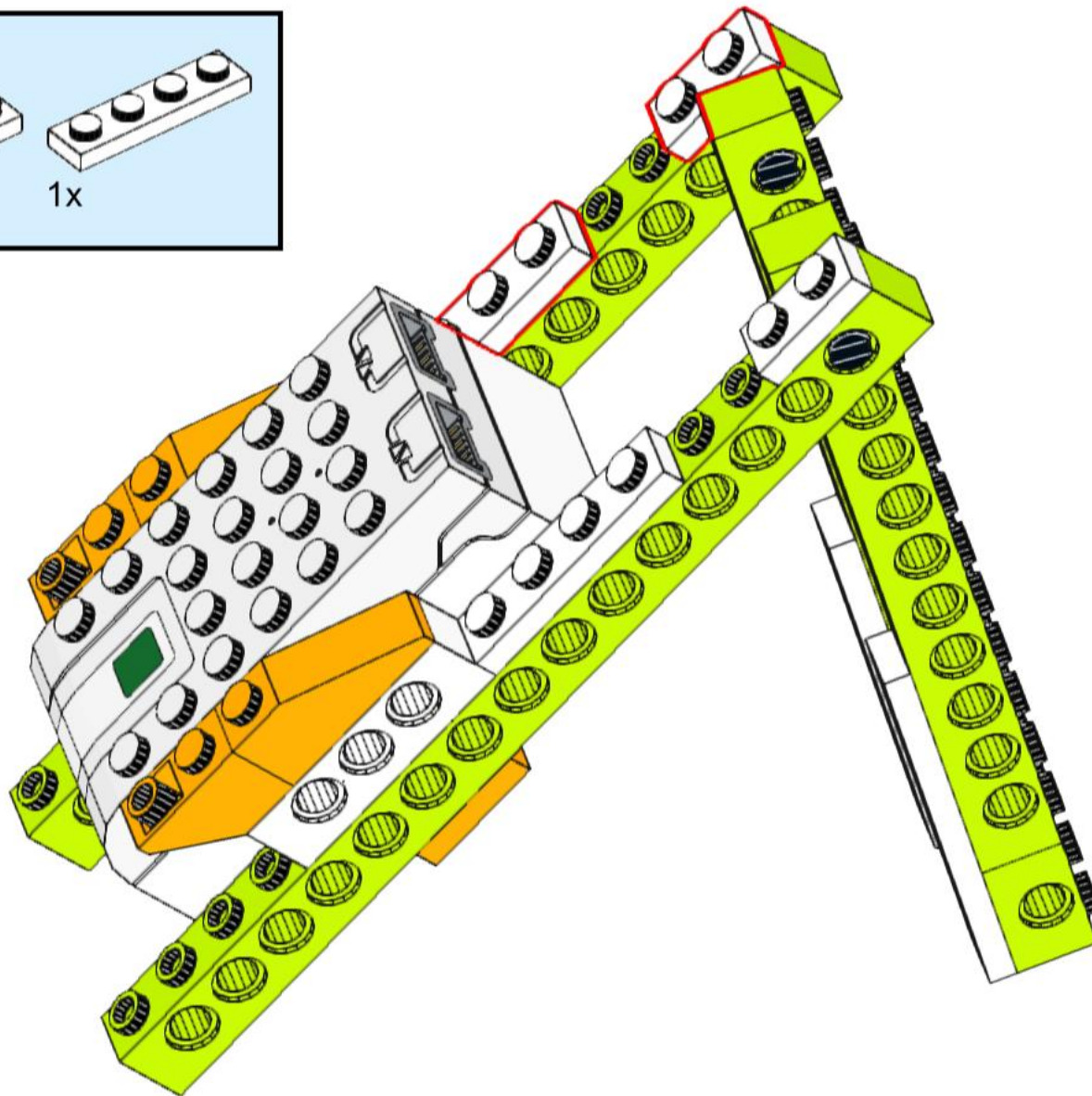
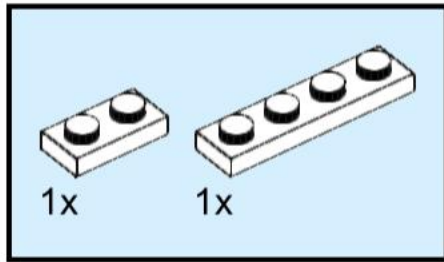




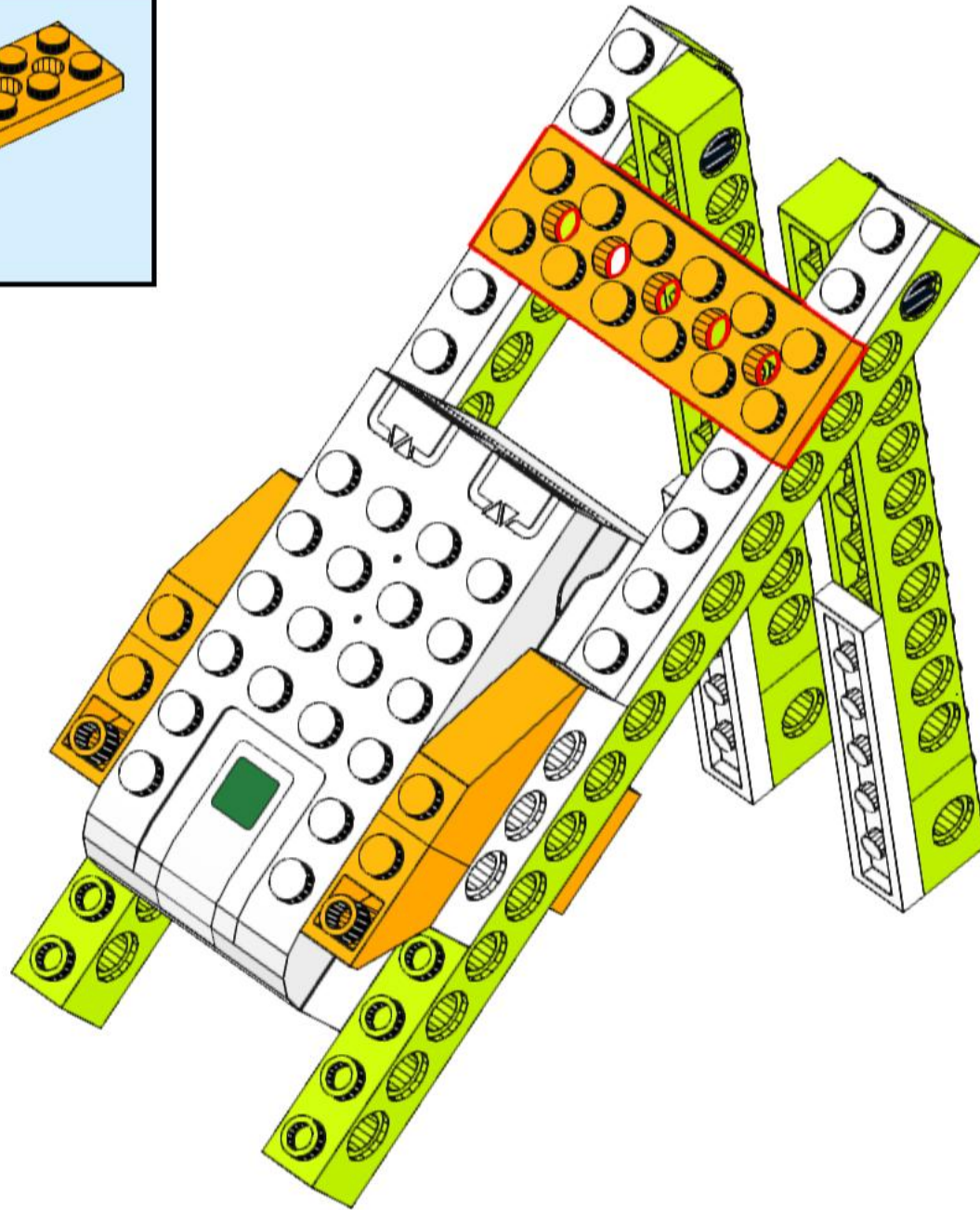
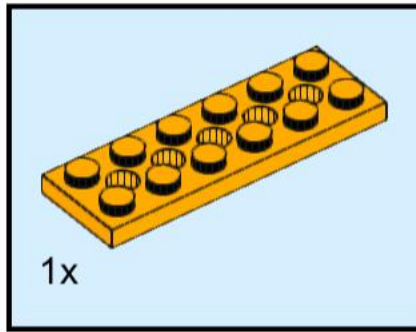
9



# 10

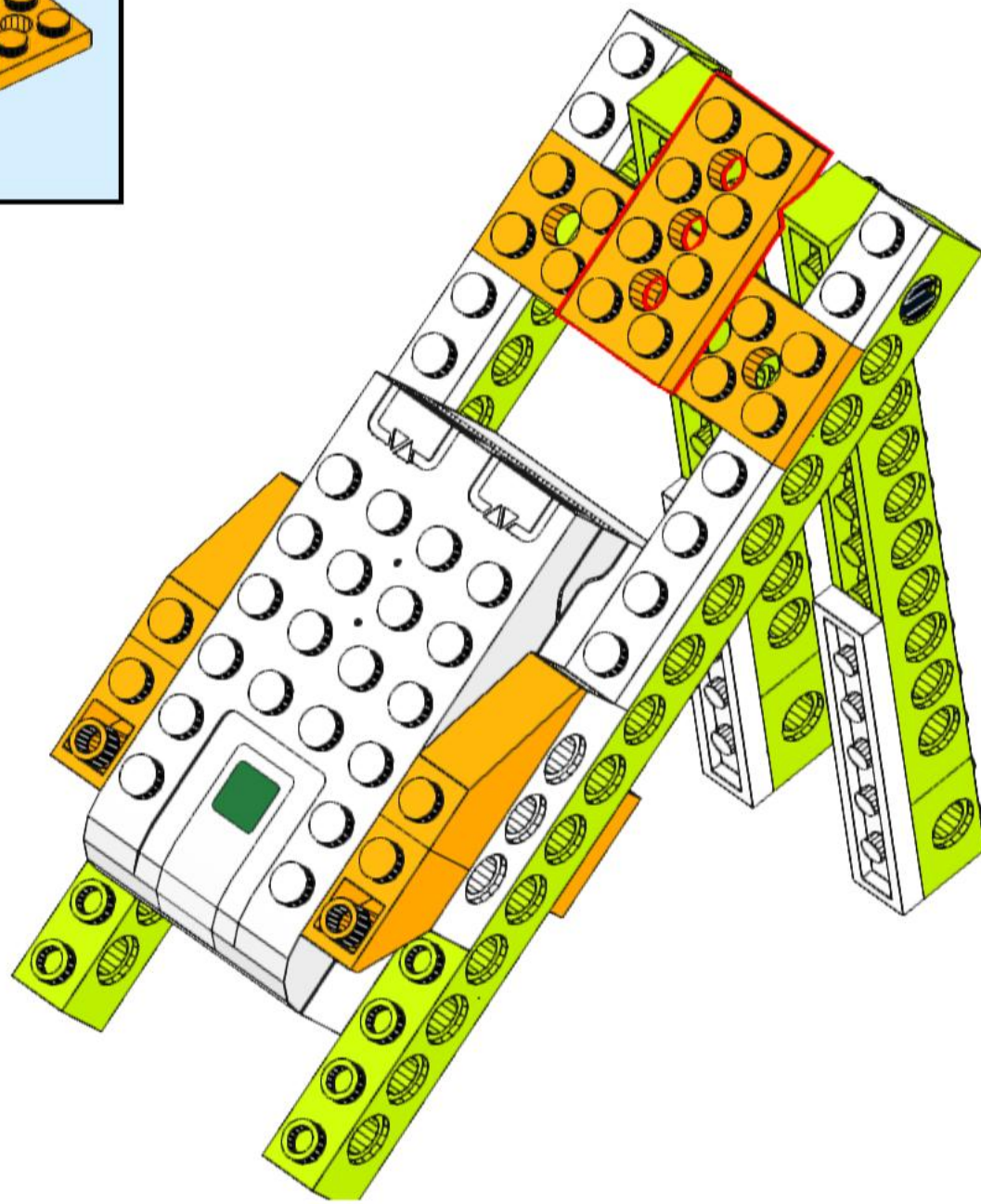
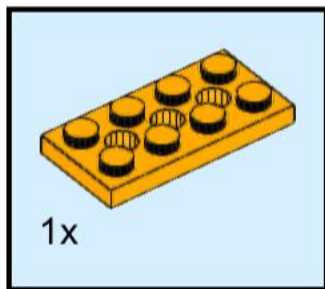


# 11

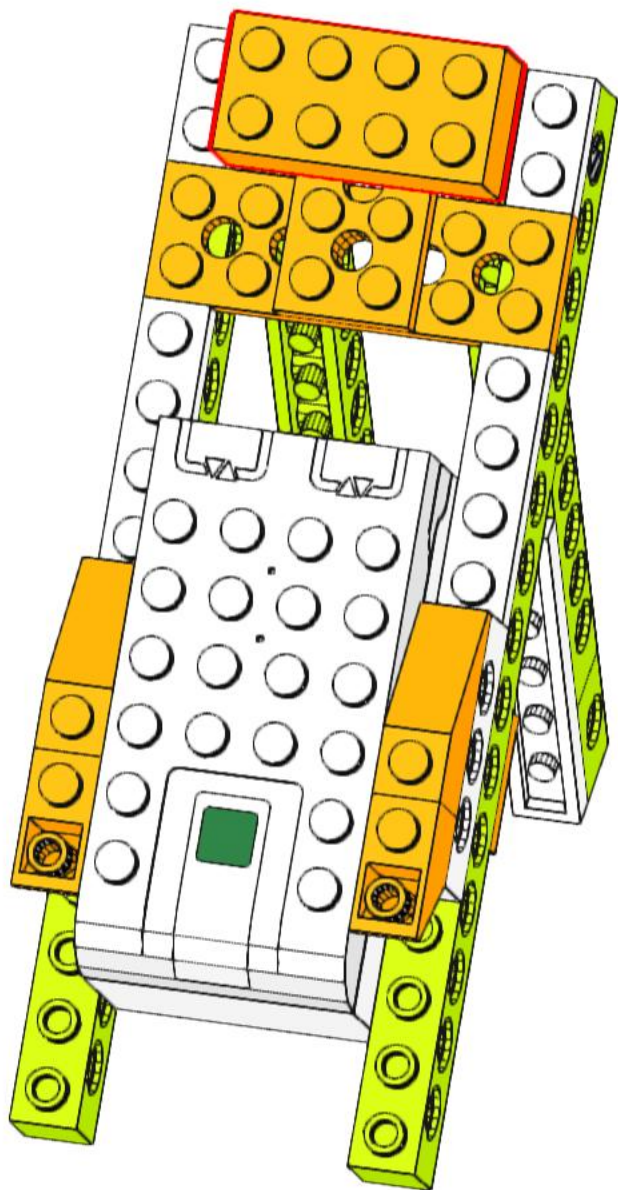
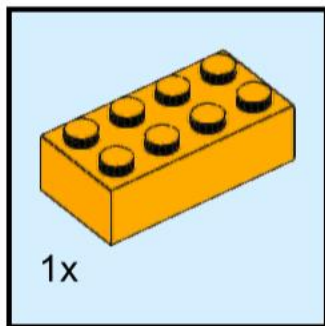




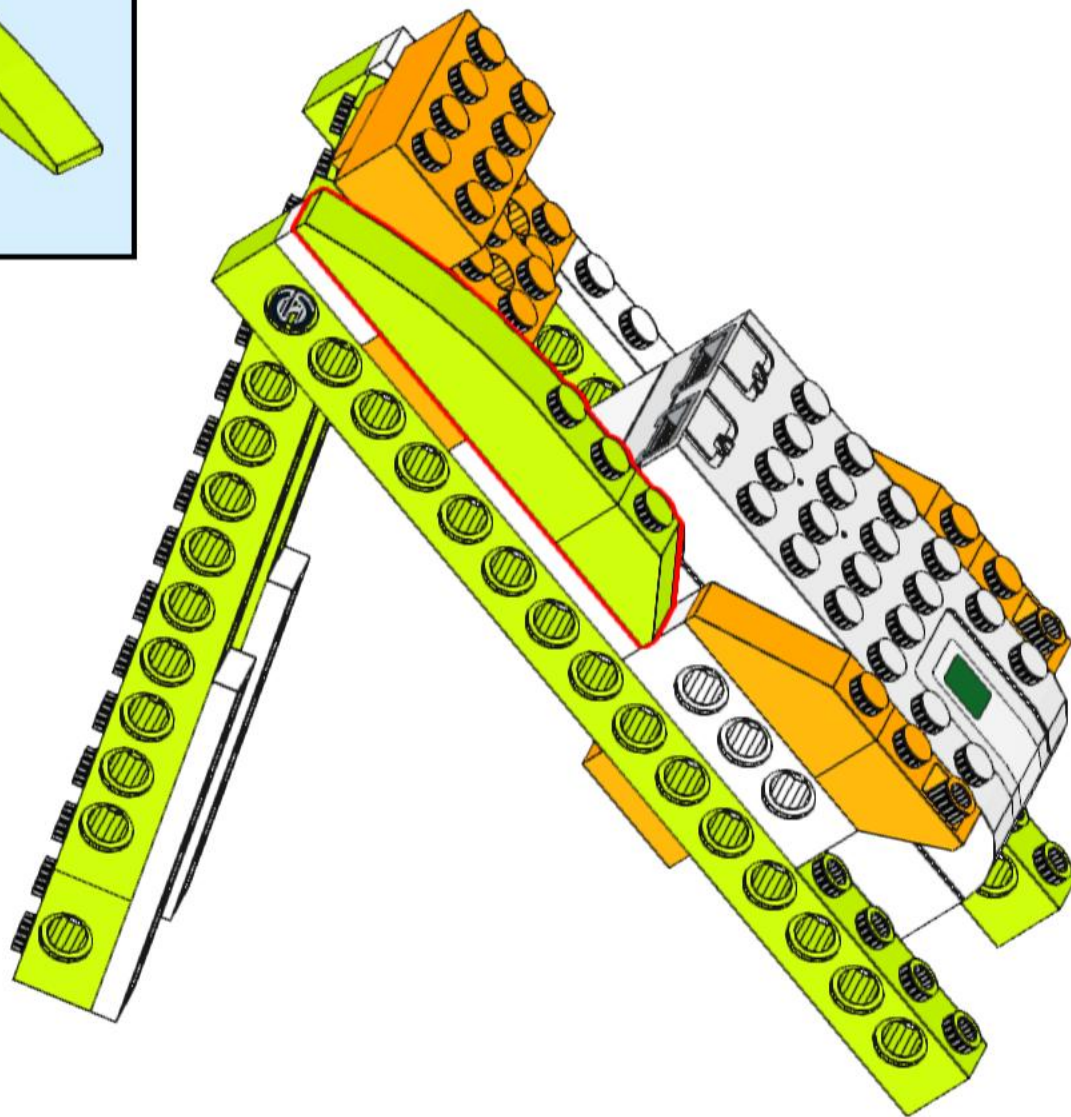
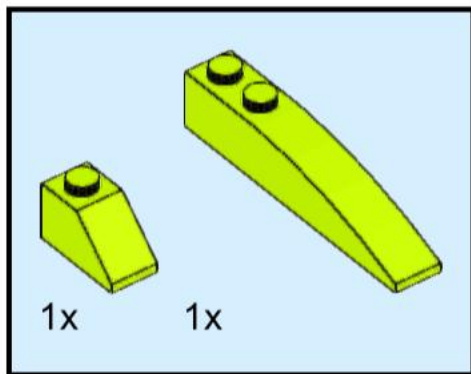
# 12



# 13

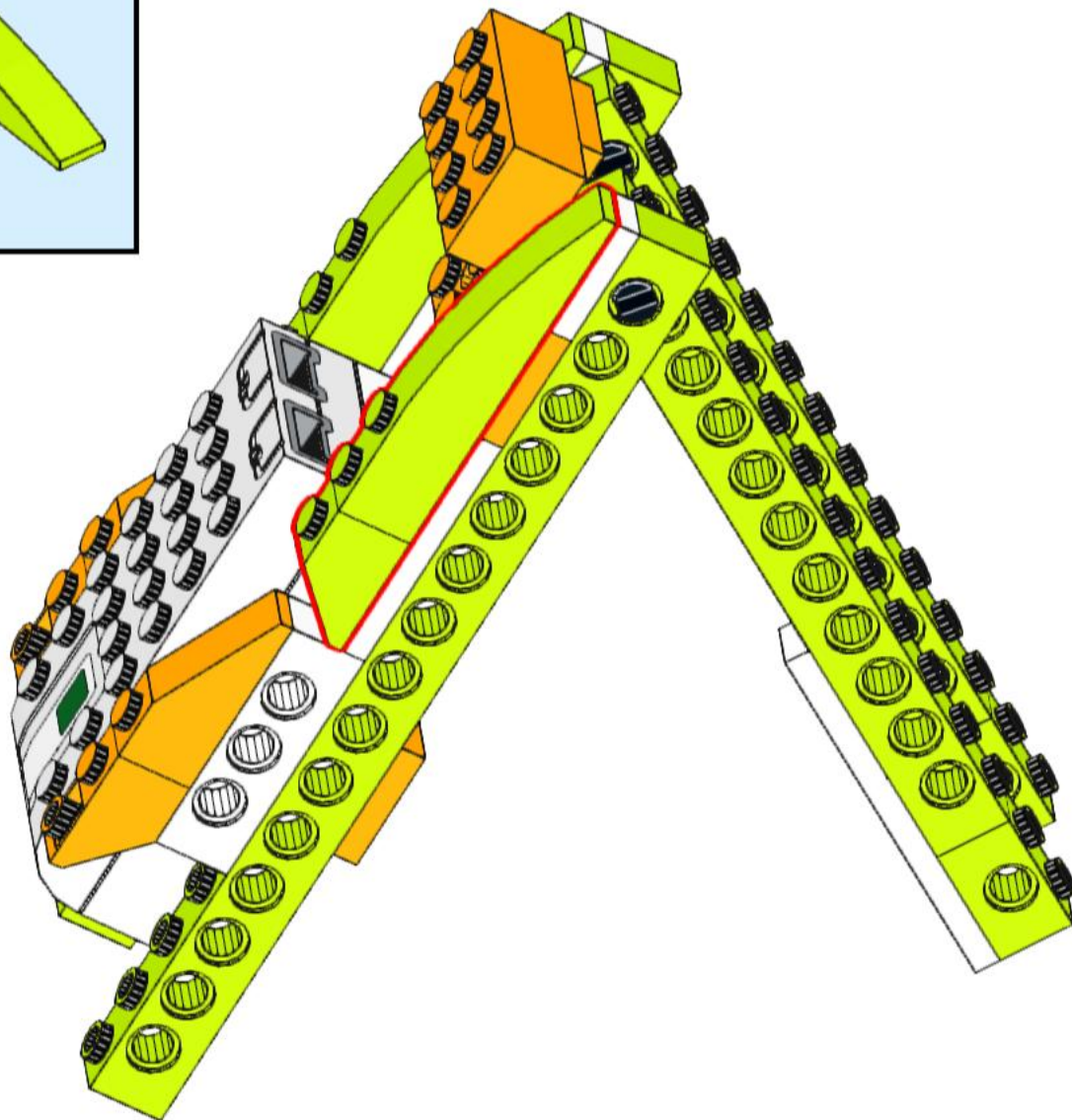
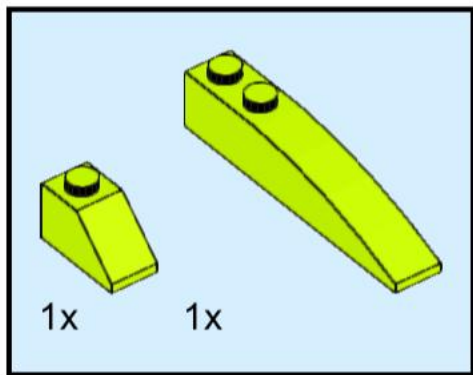


# 14

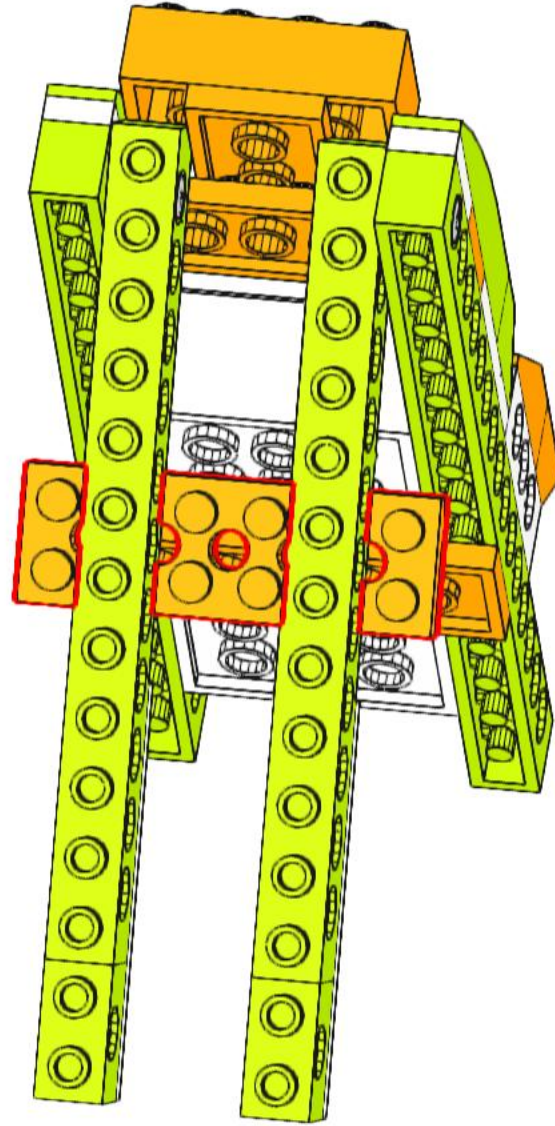
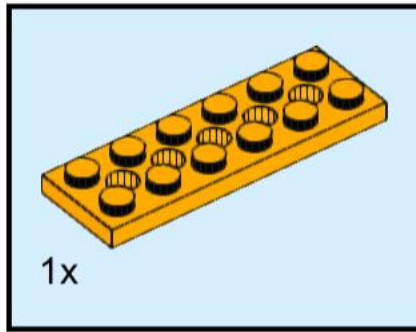




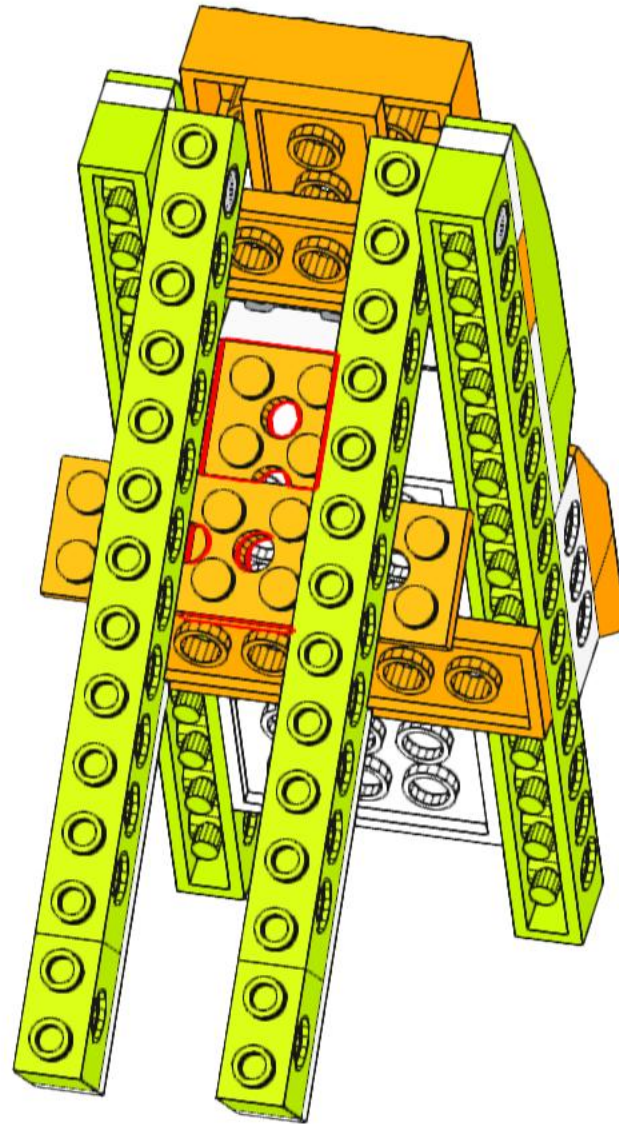
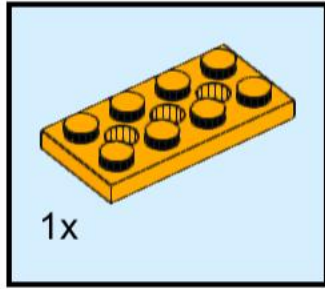
# 15



# 16

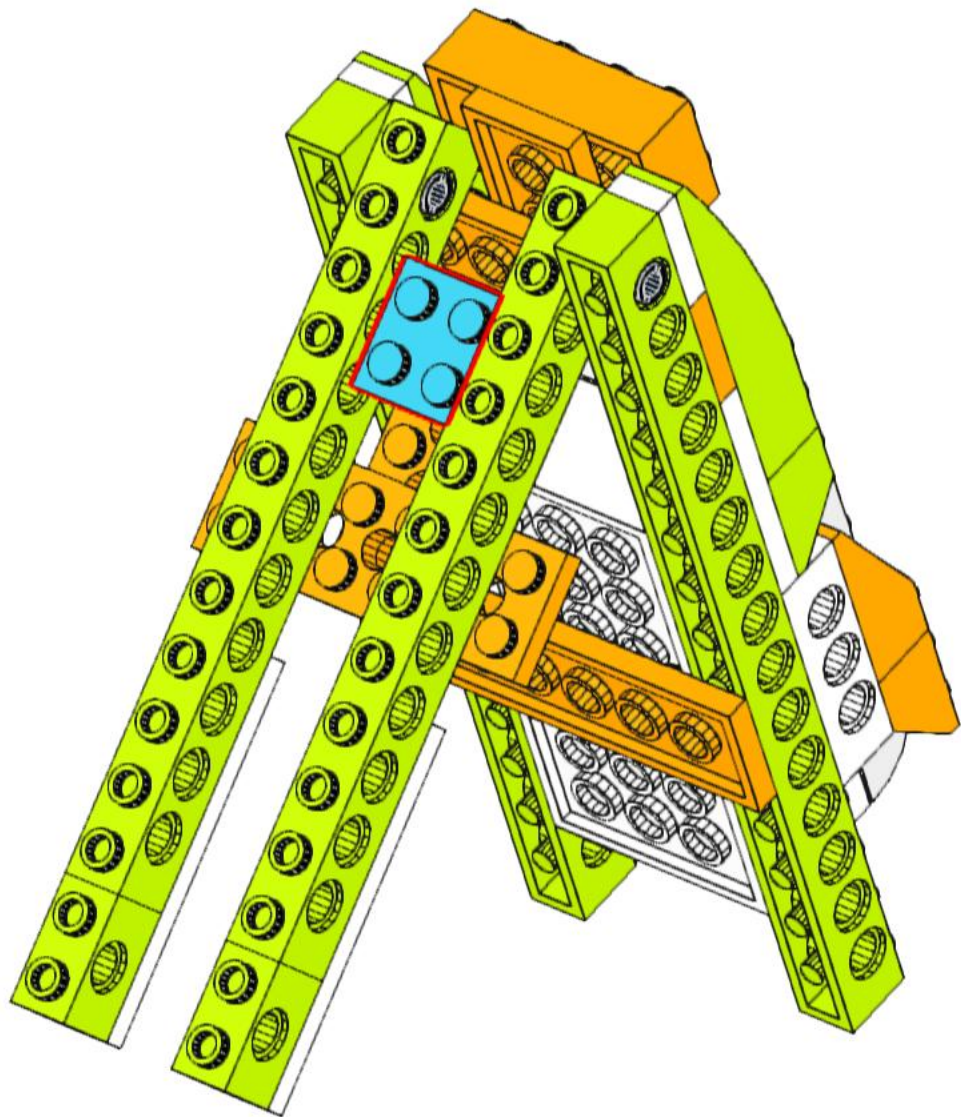
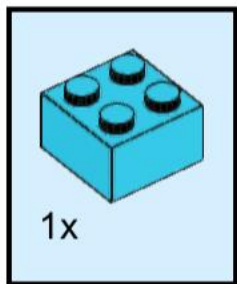


# 17

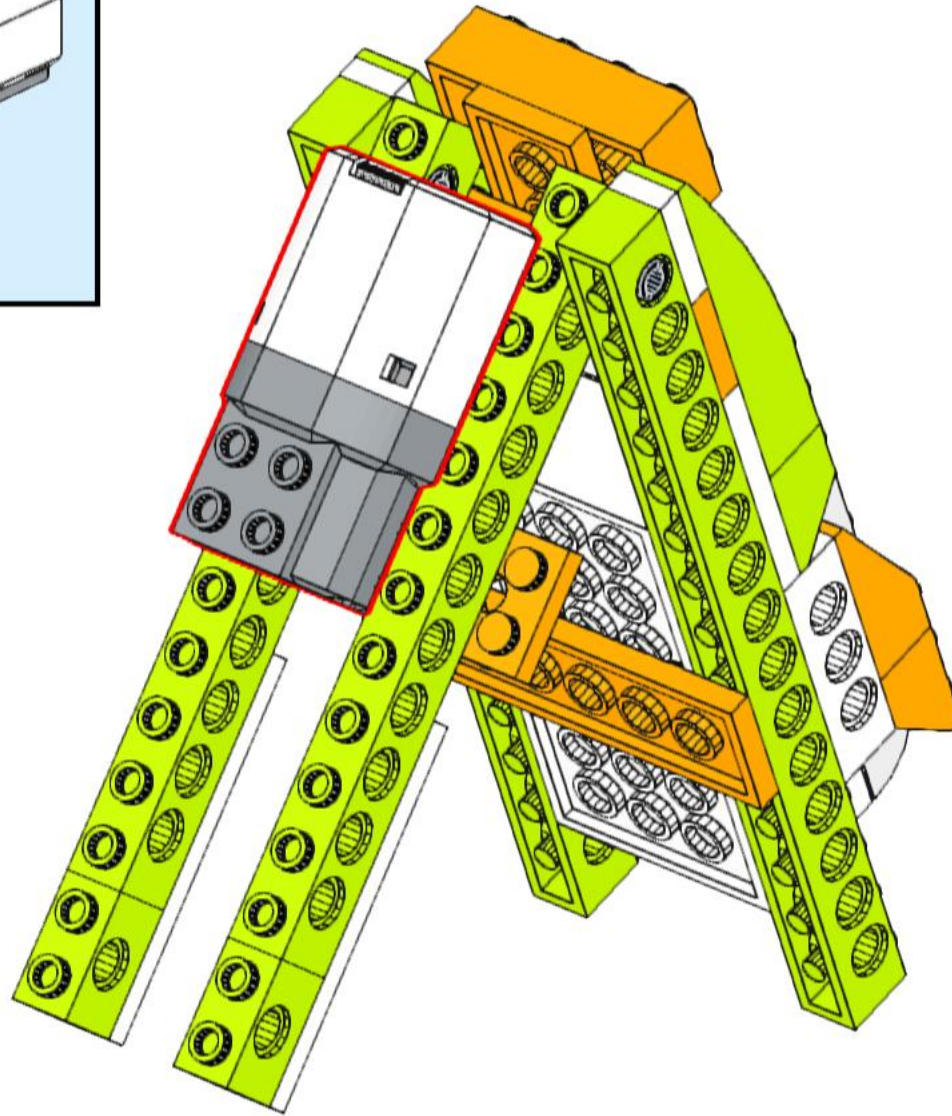
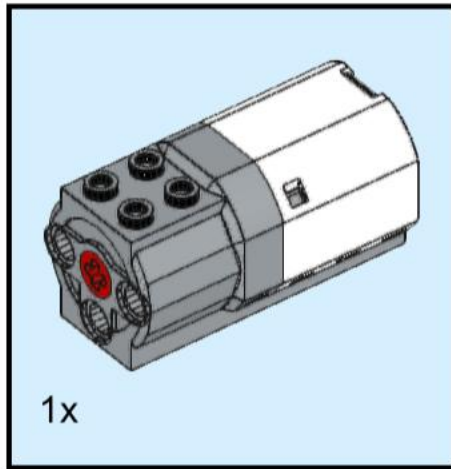




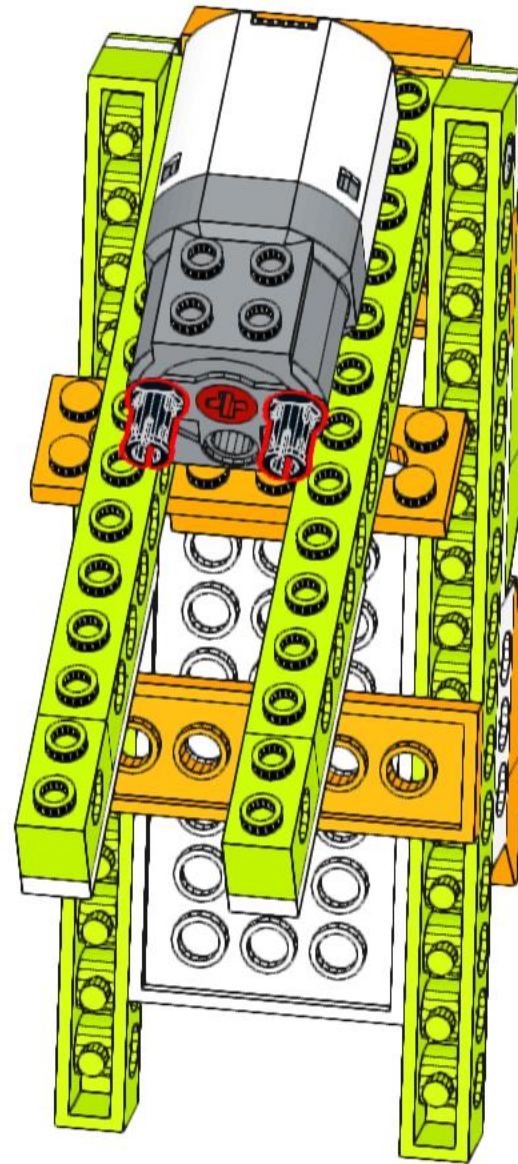
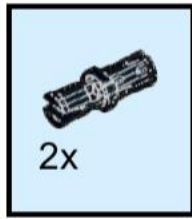
# 18



# 19

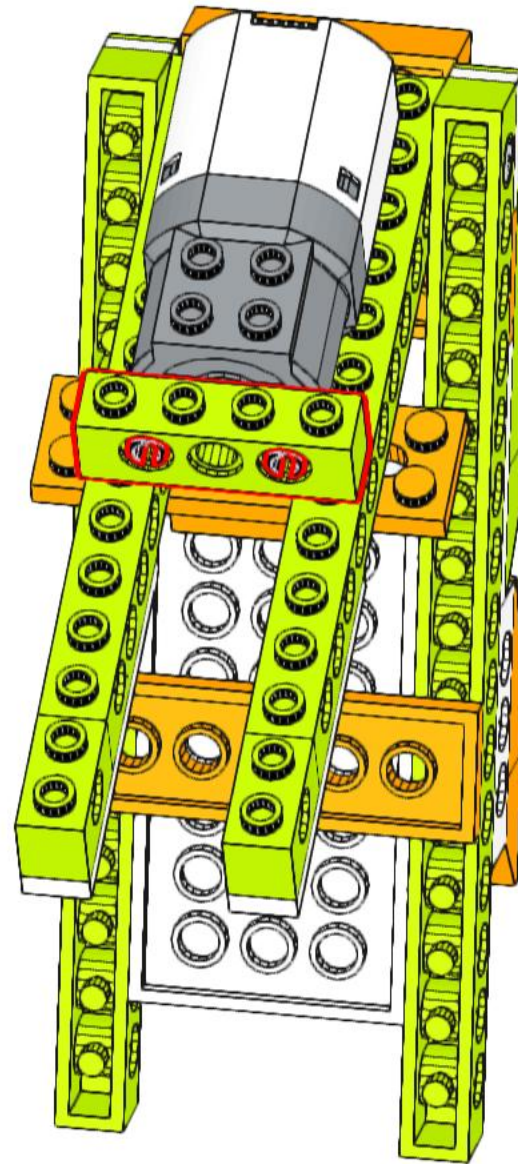
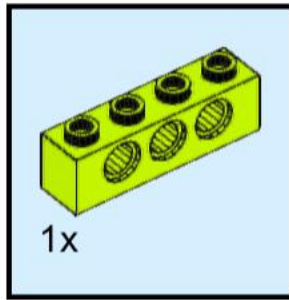


# 20

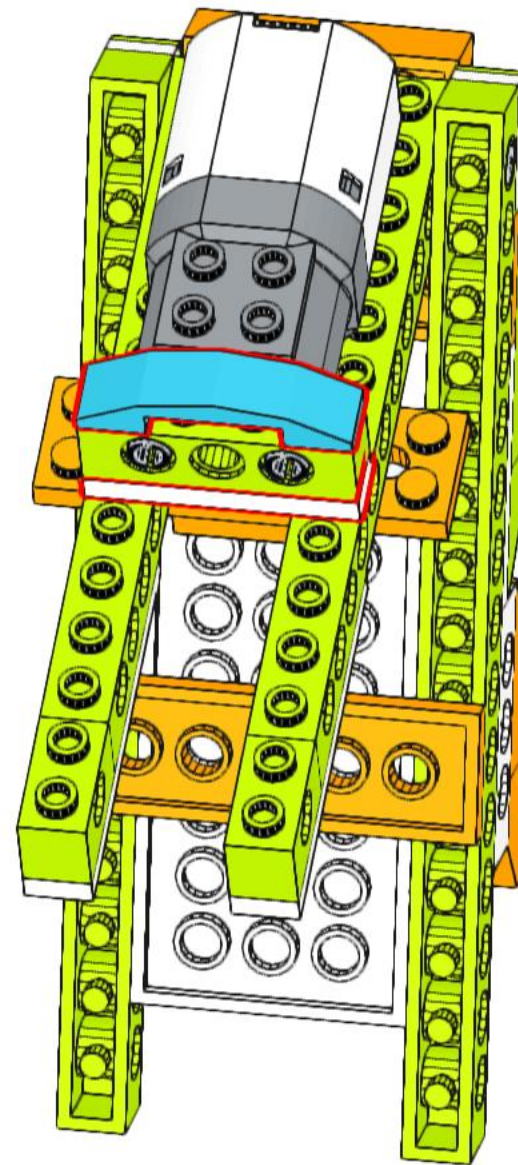
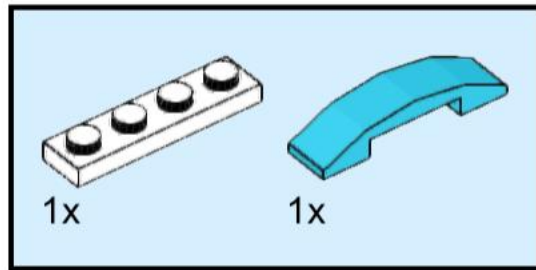




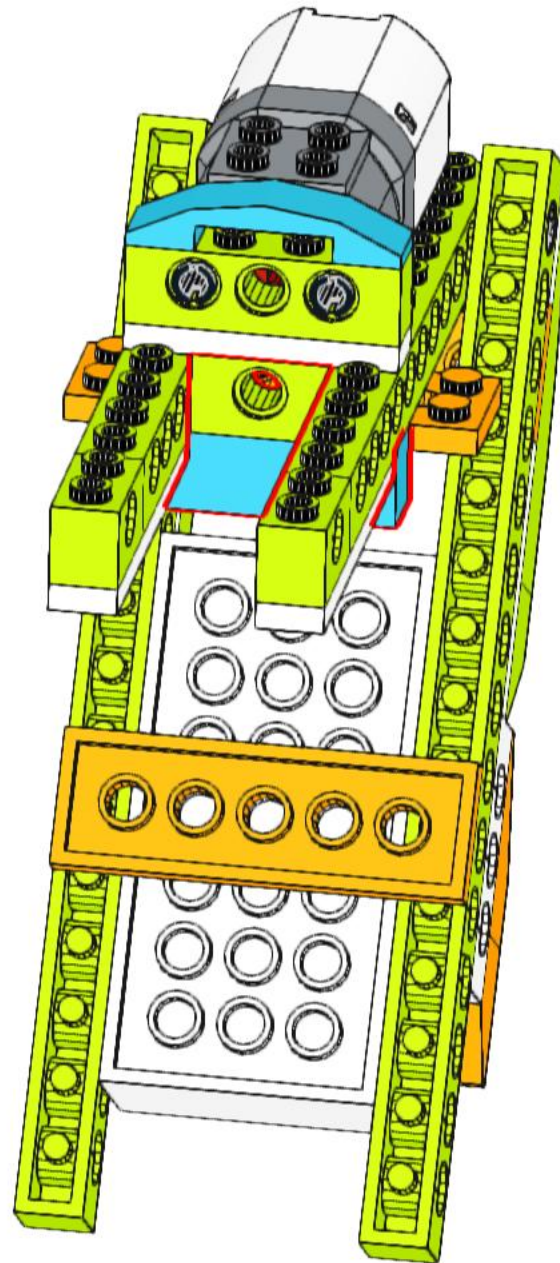
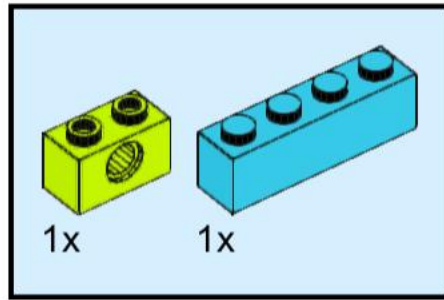
# 21



# 22

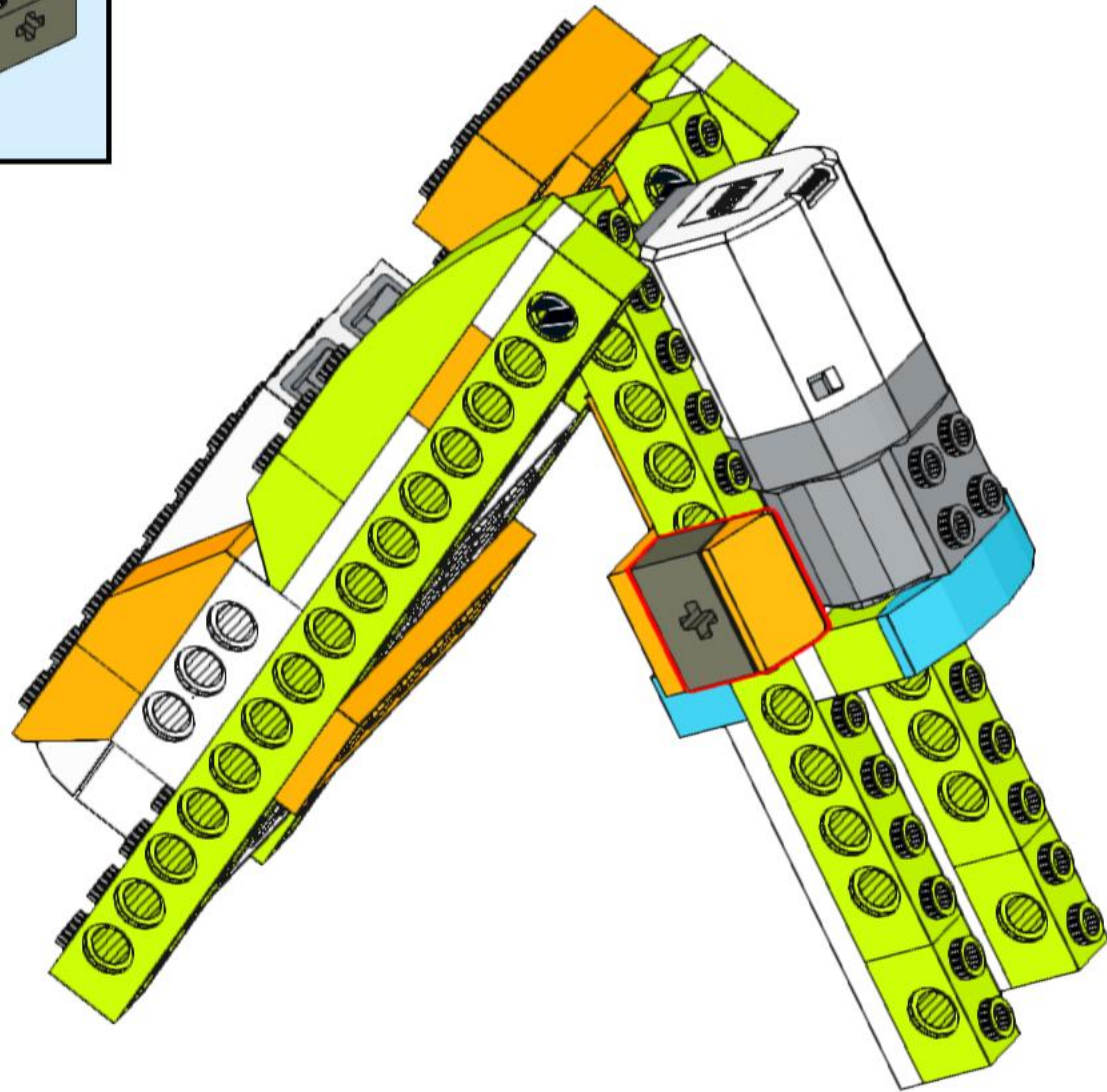
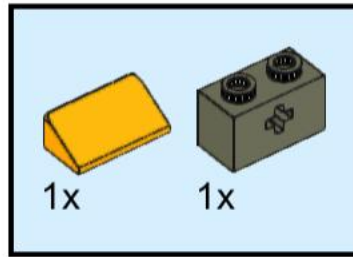


# 23

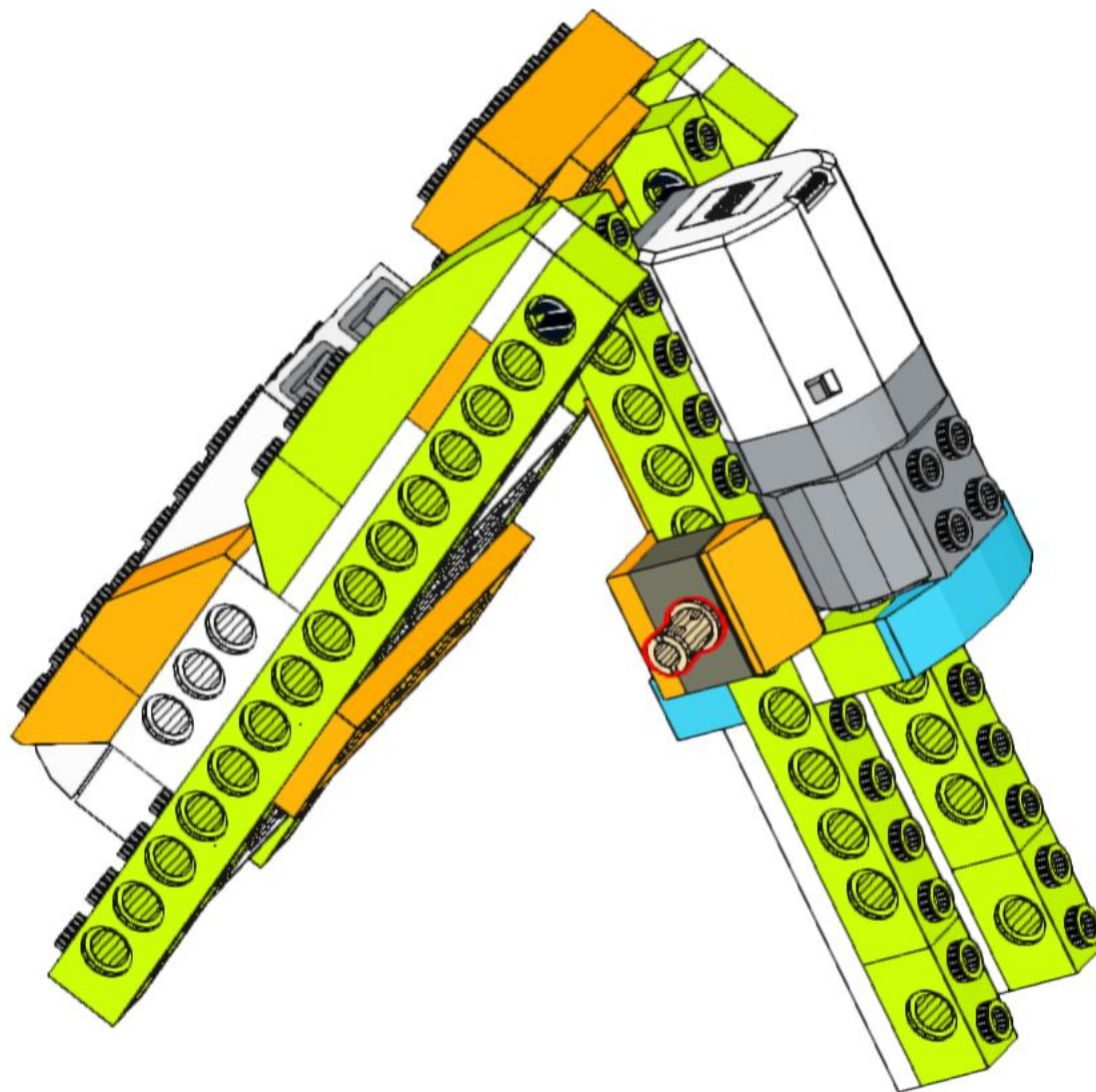
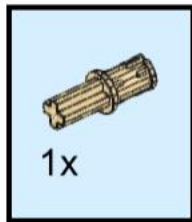




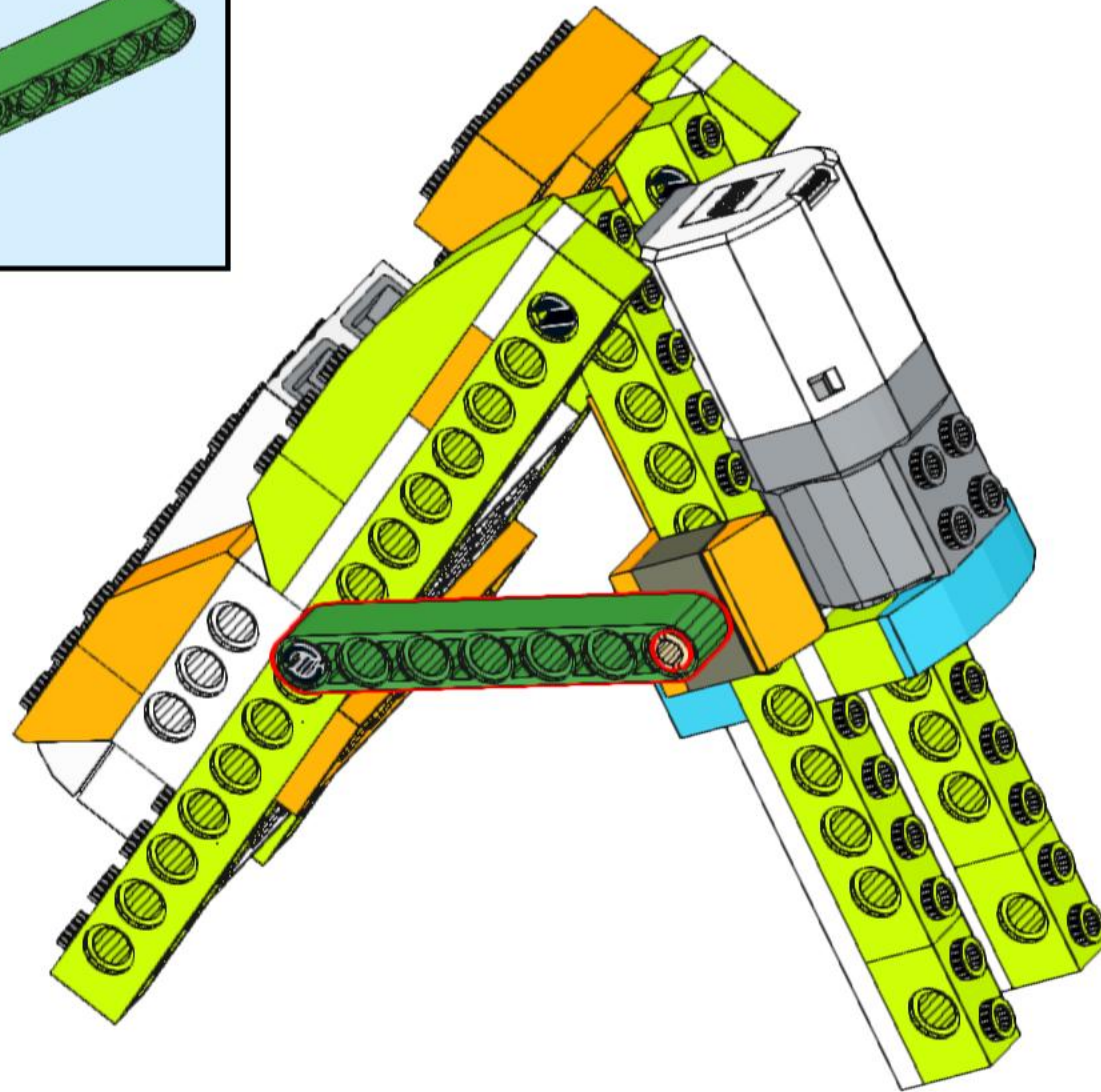
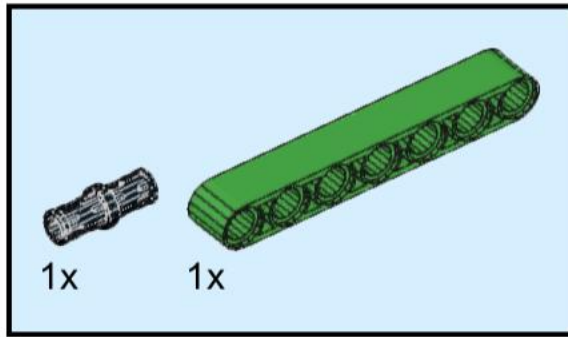
# 24



# 25

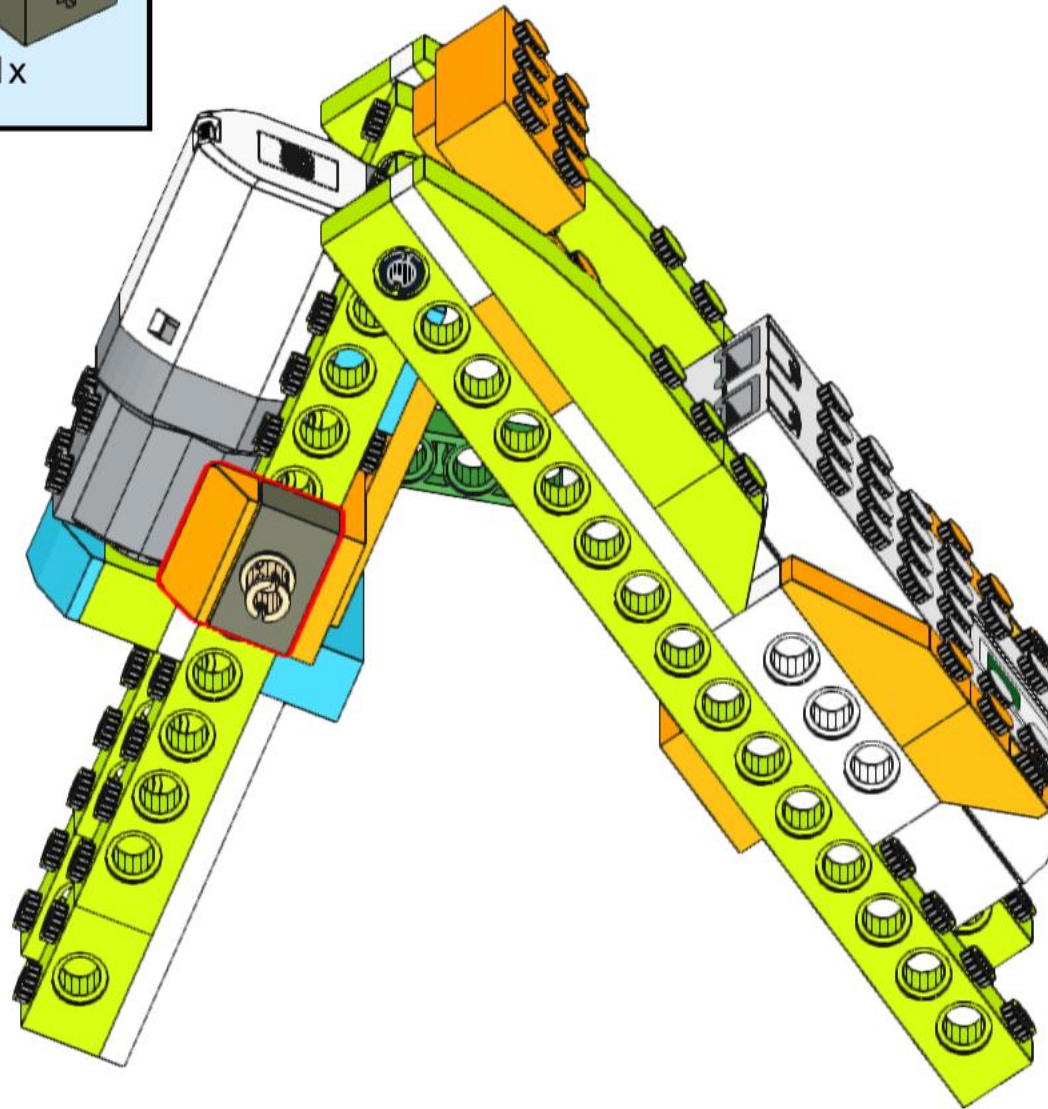
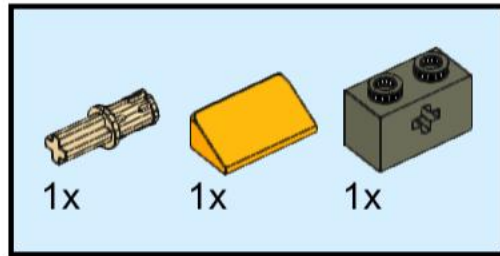


# 26

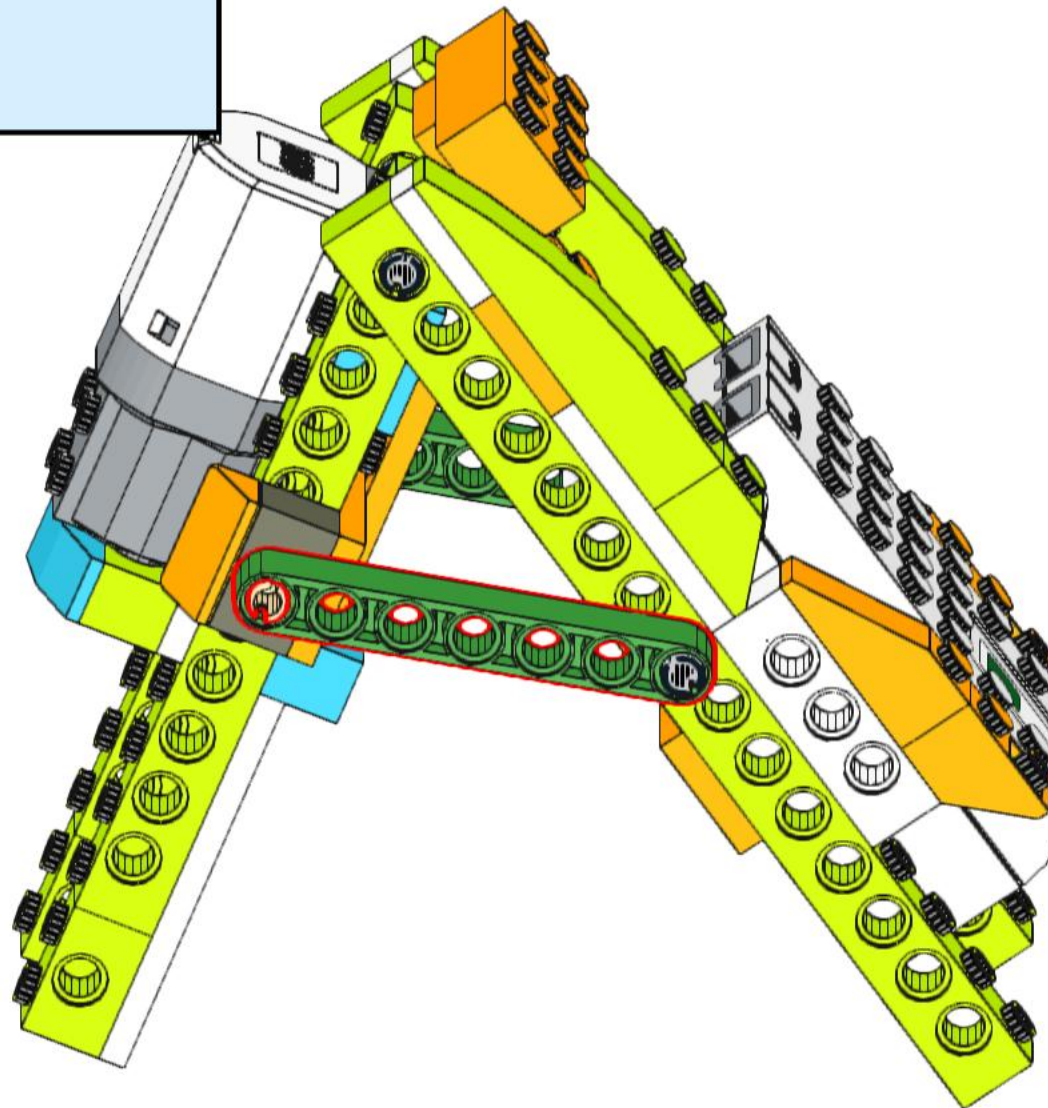
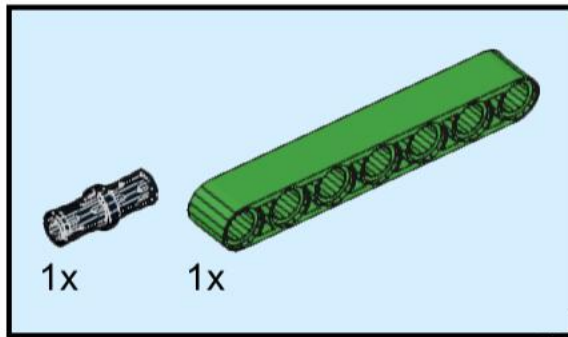




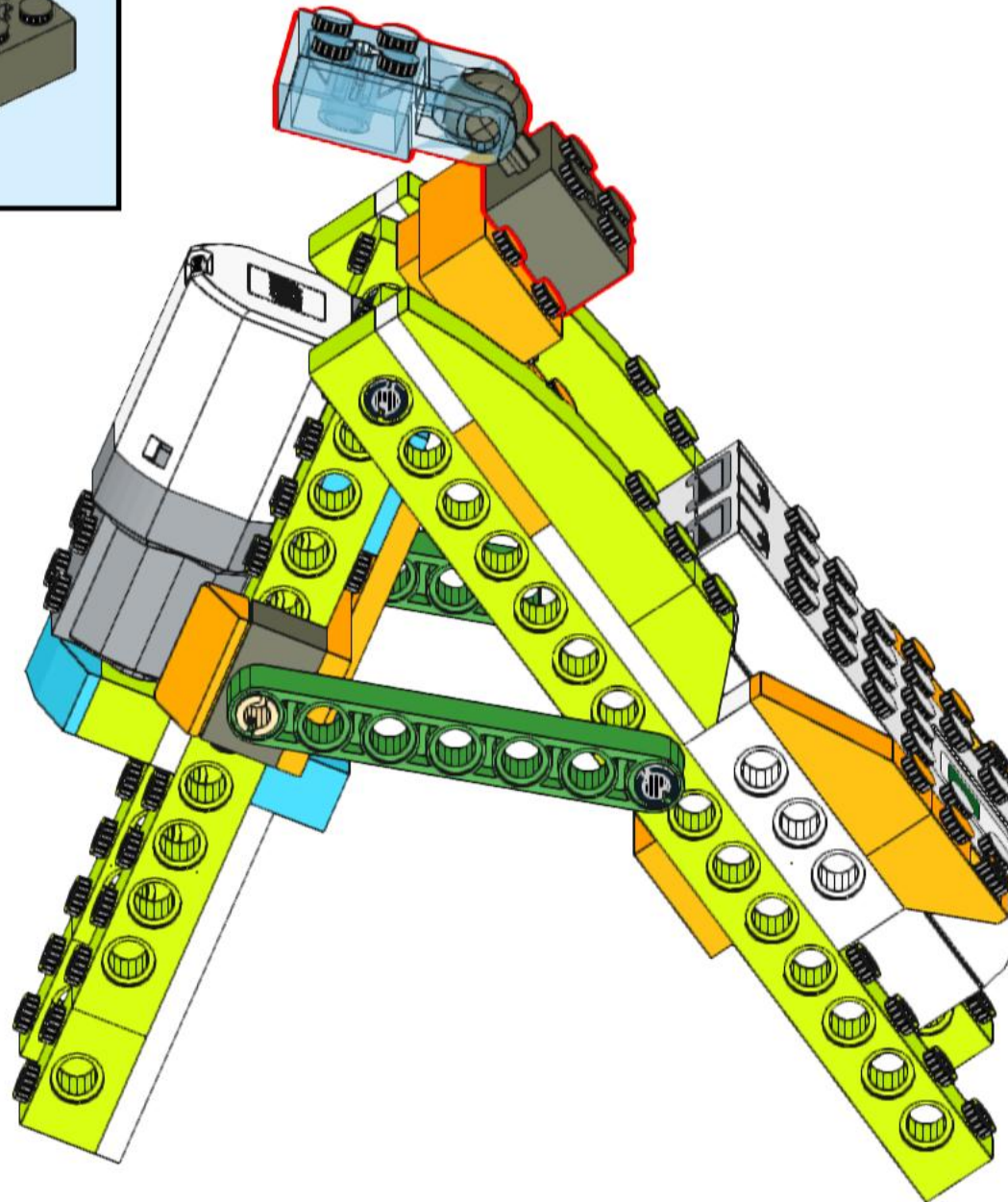
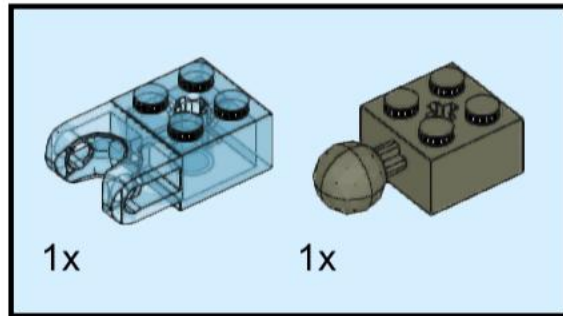
# 27



# 28

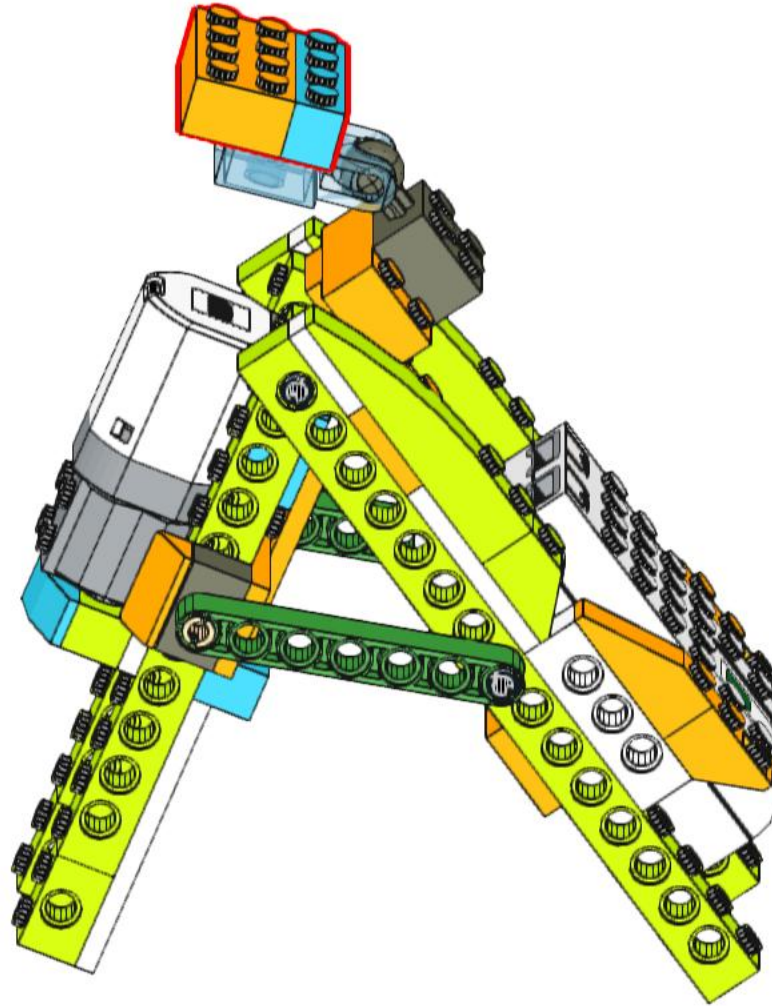
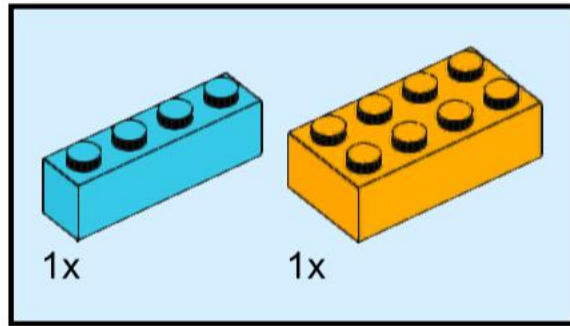


# 29

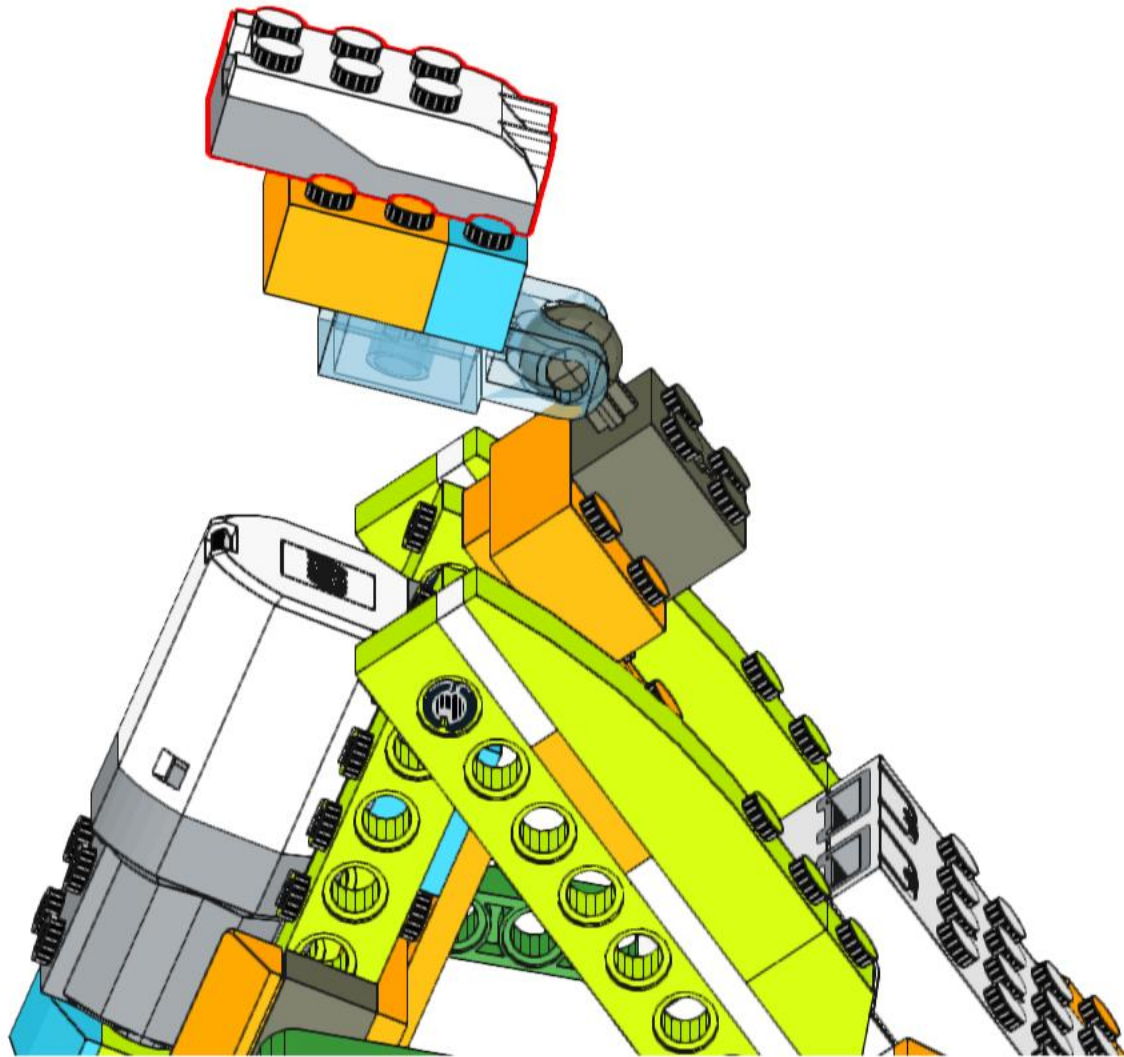
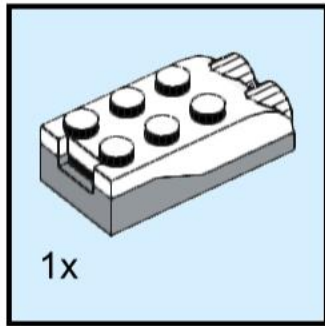




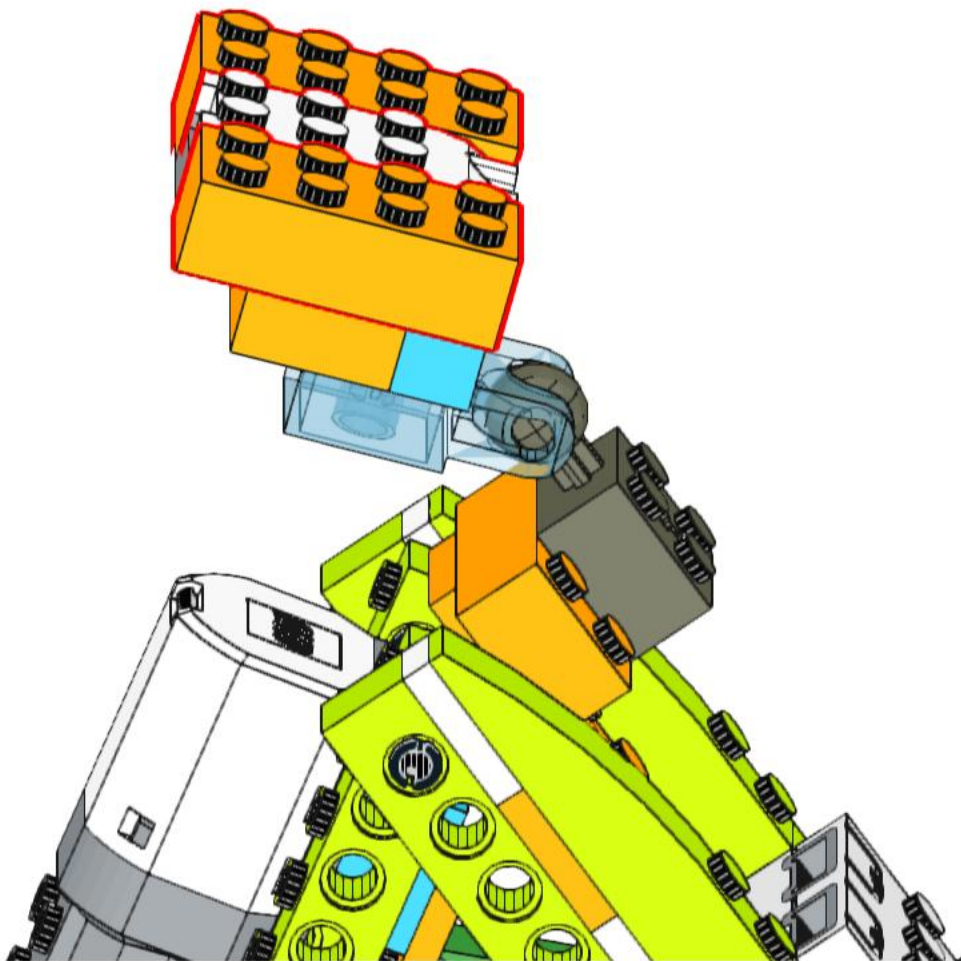
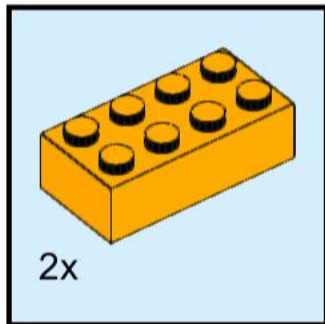
# 30



# 31

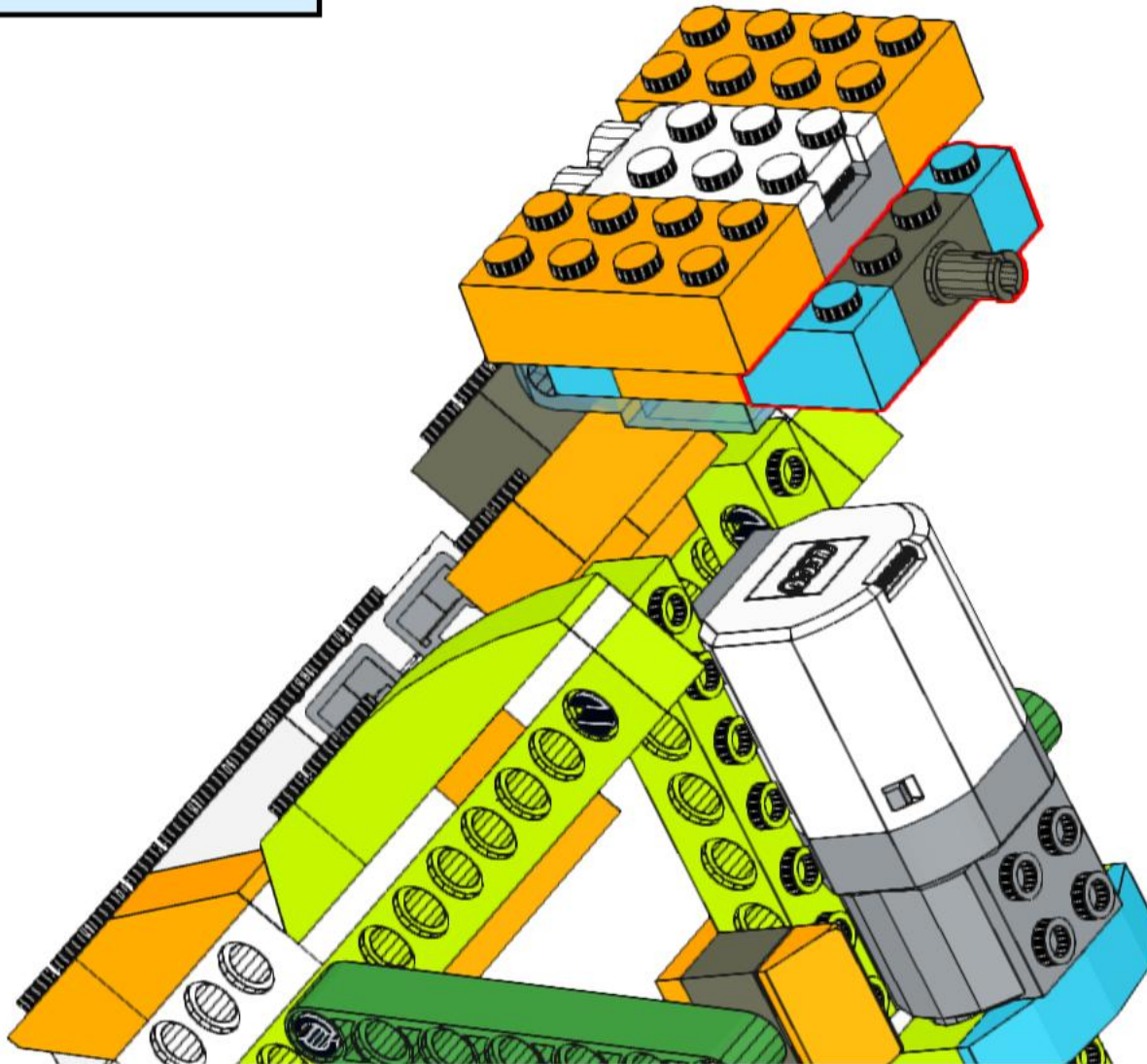
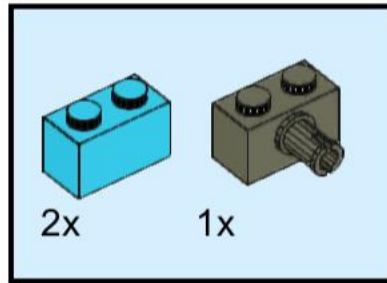


# 32

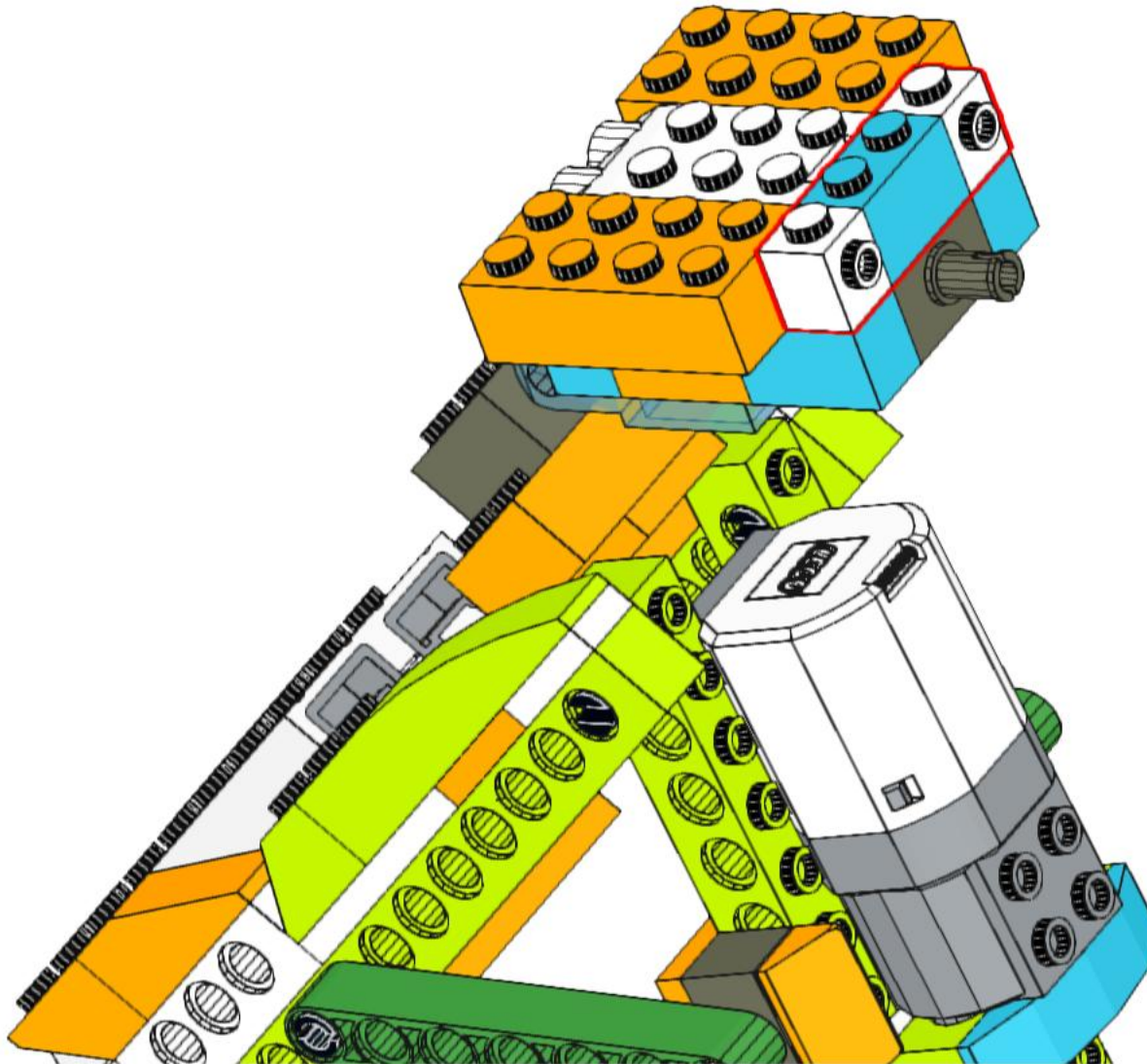
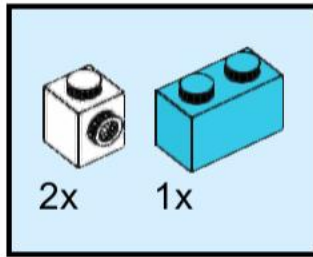




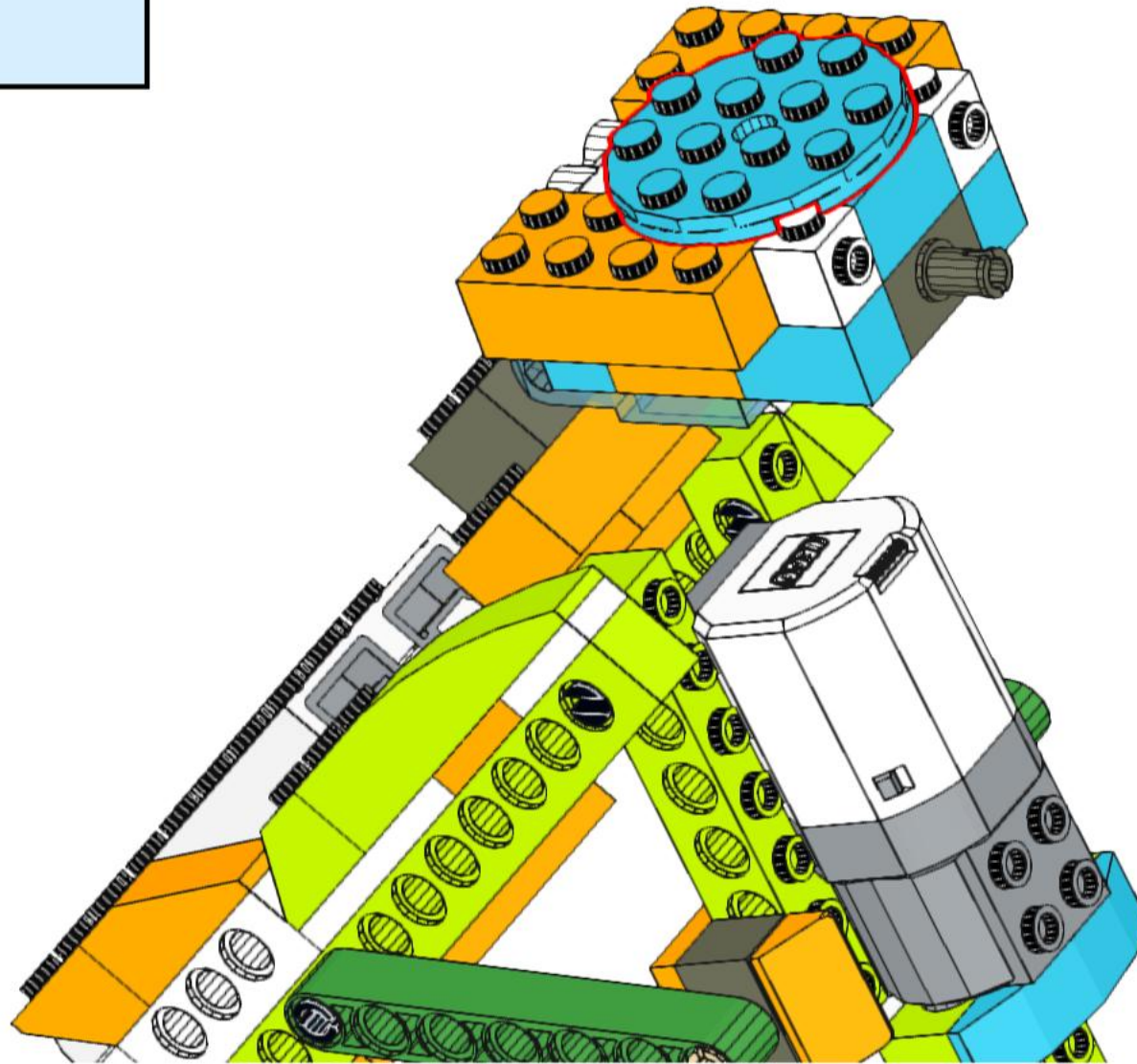
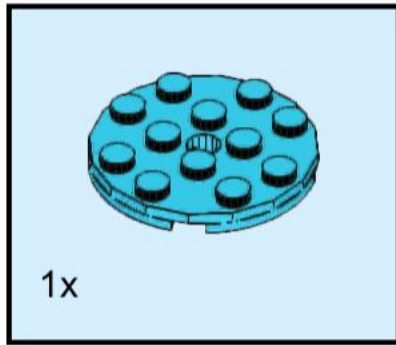
# 33



# 34

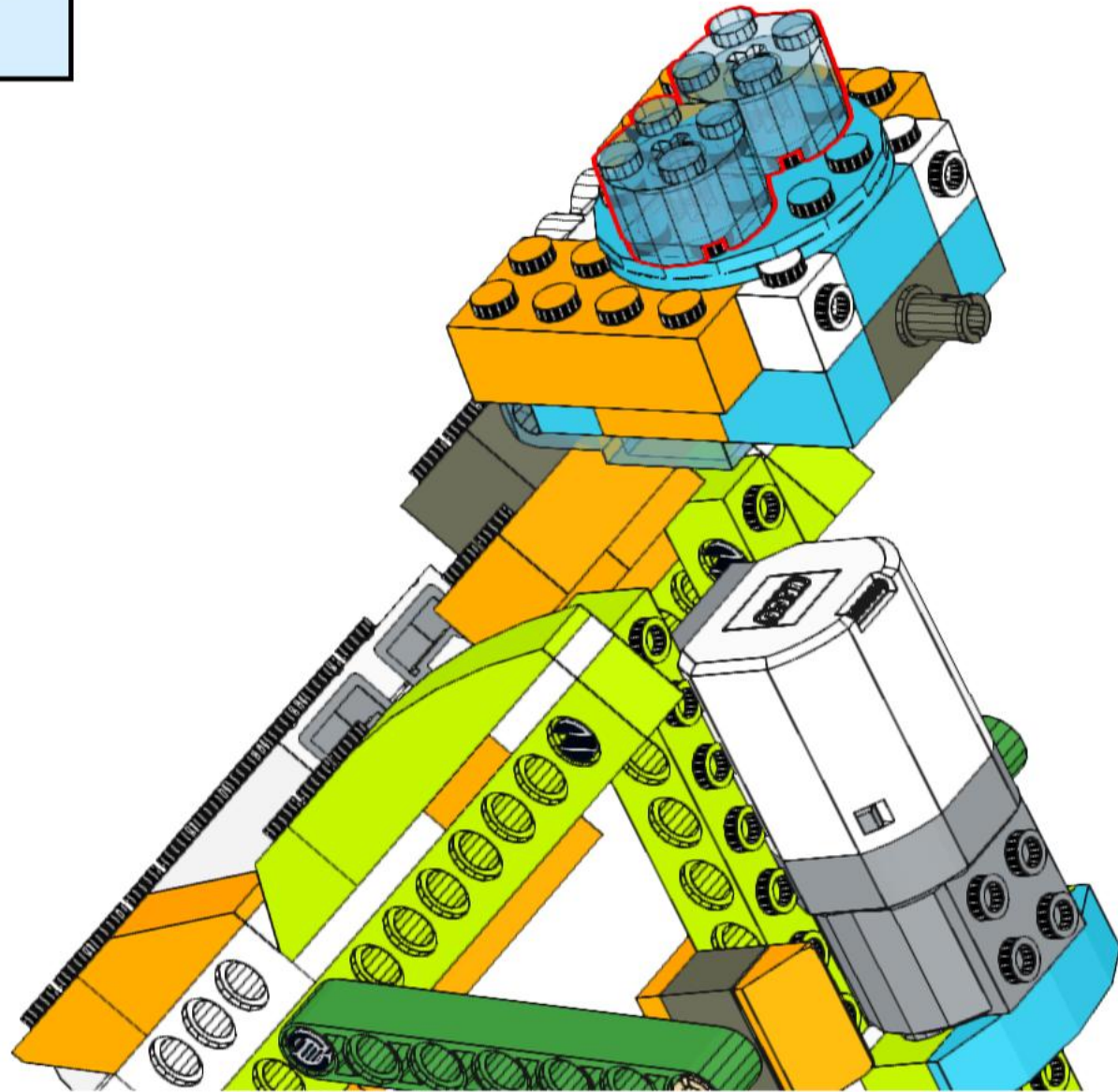
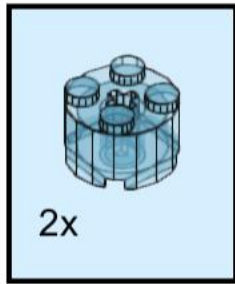


# 35

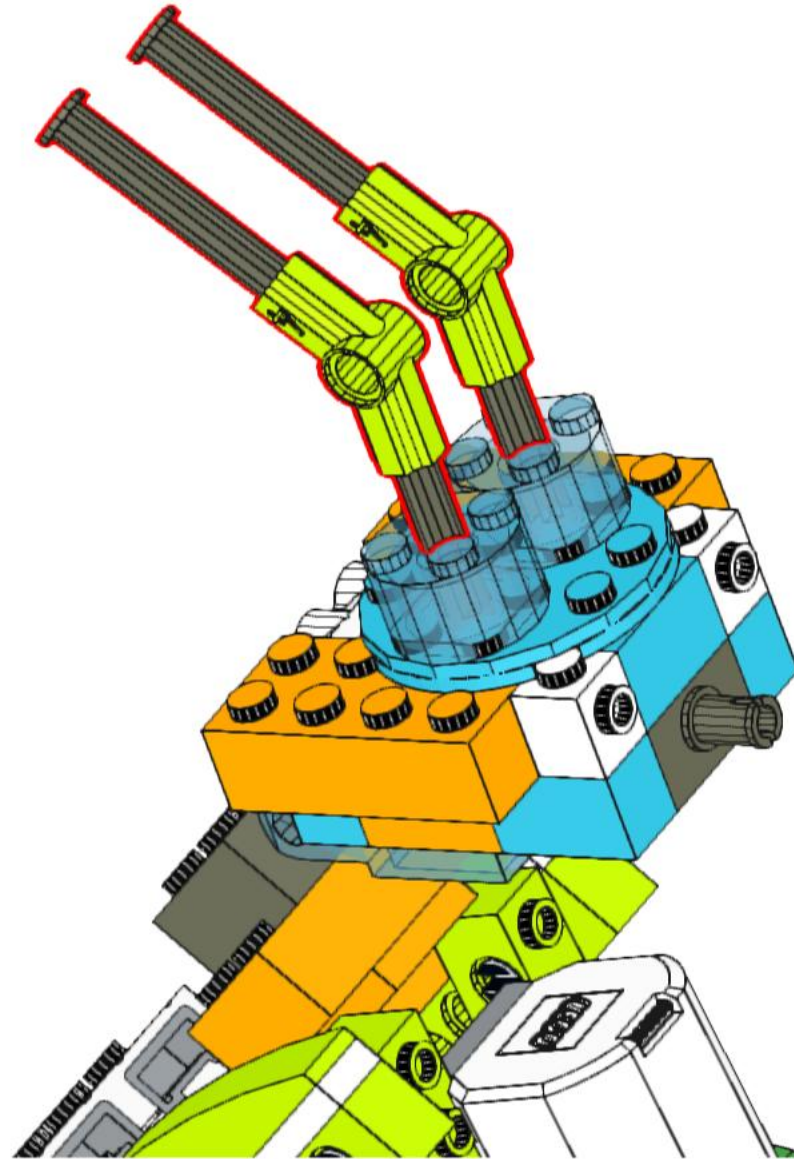
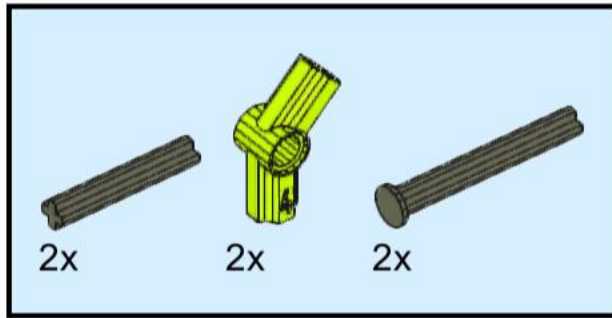




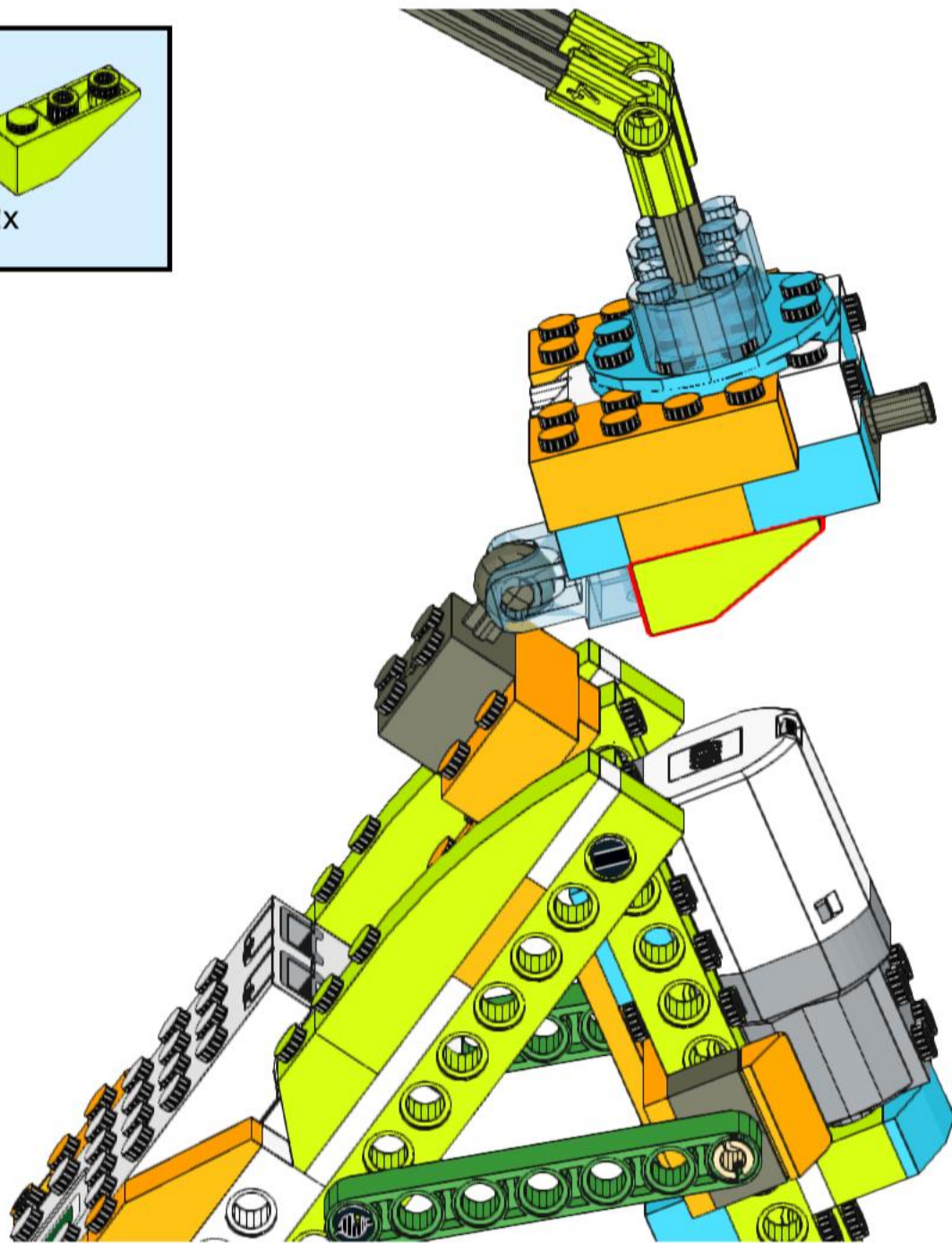
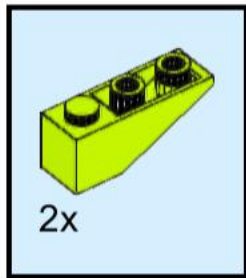
# 36



# 37

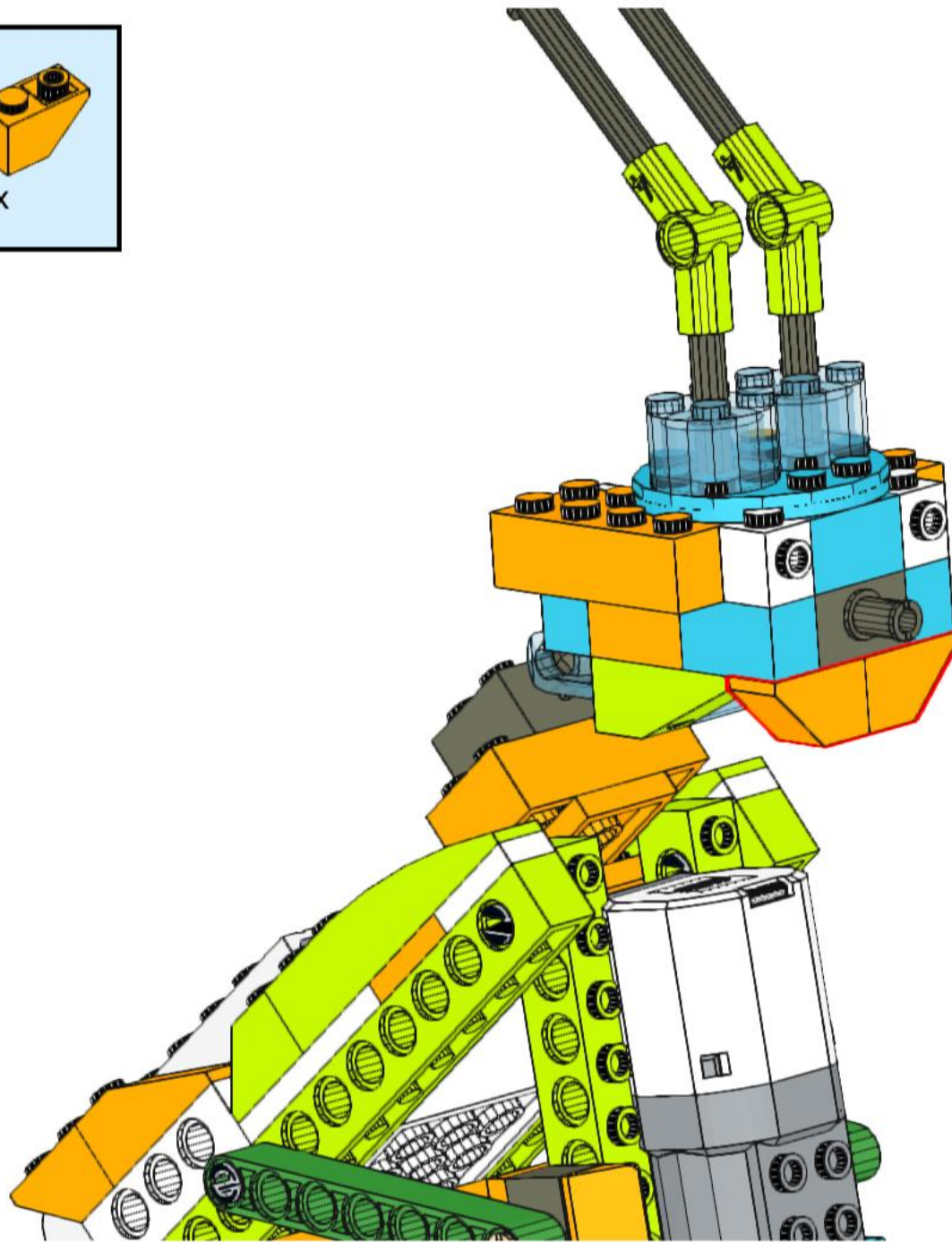
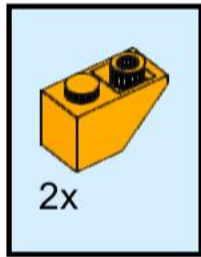


# 38

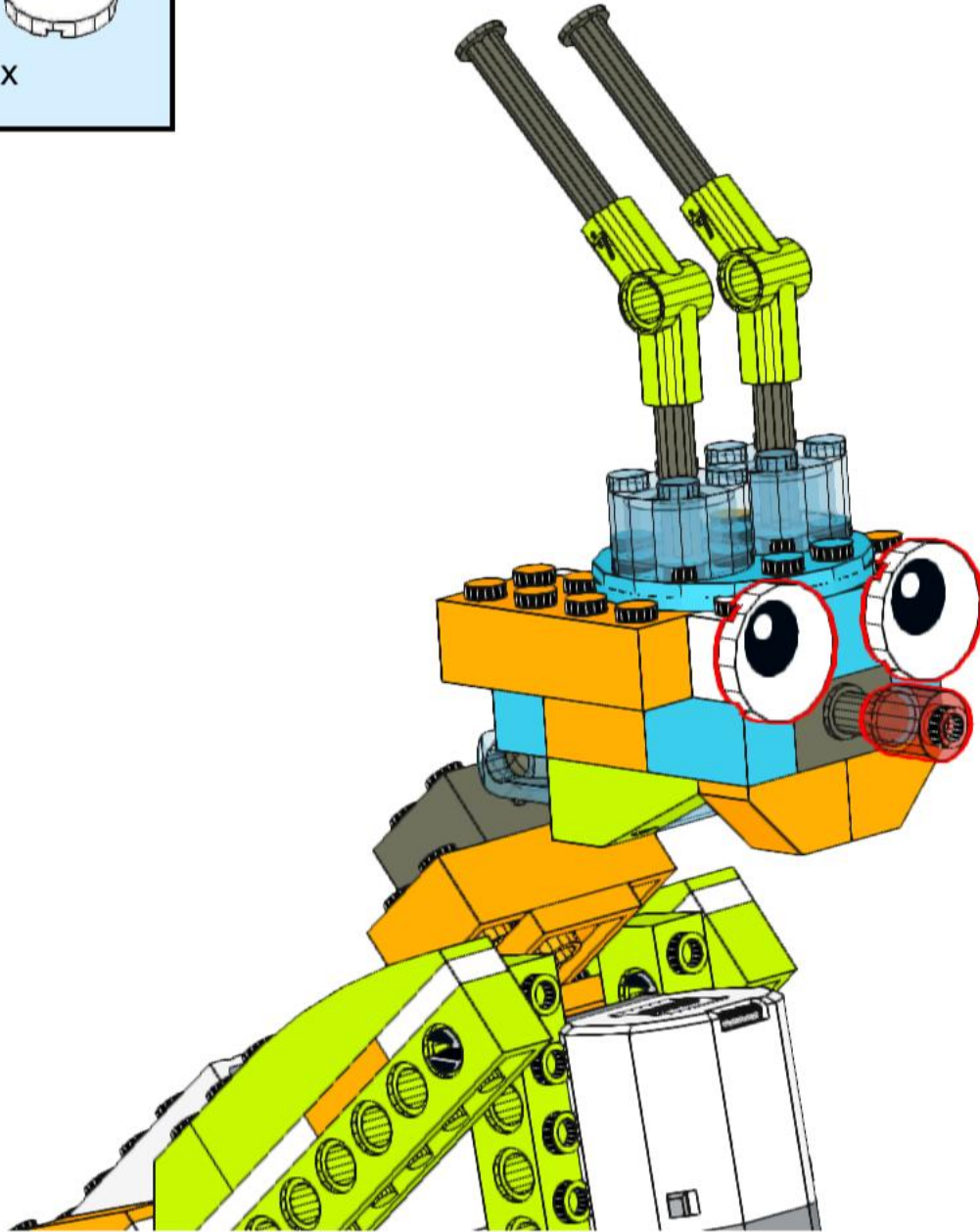
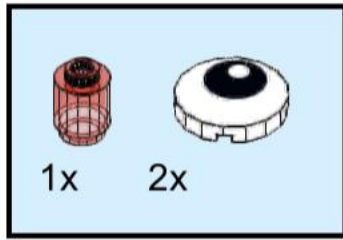




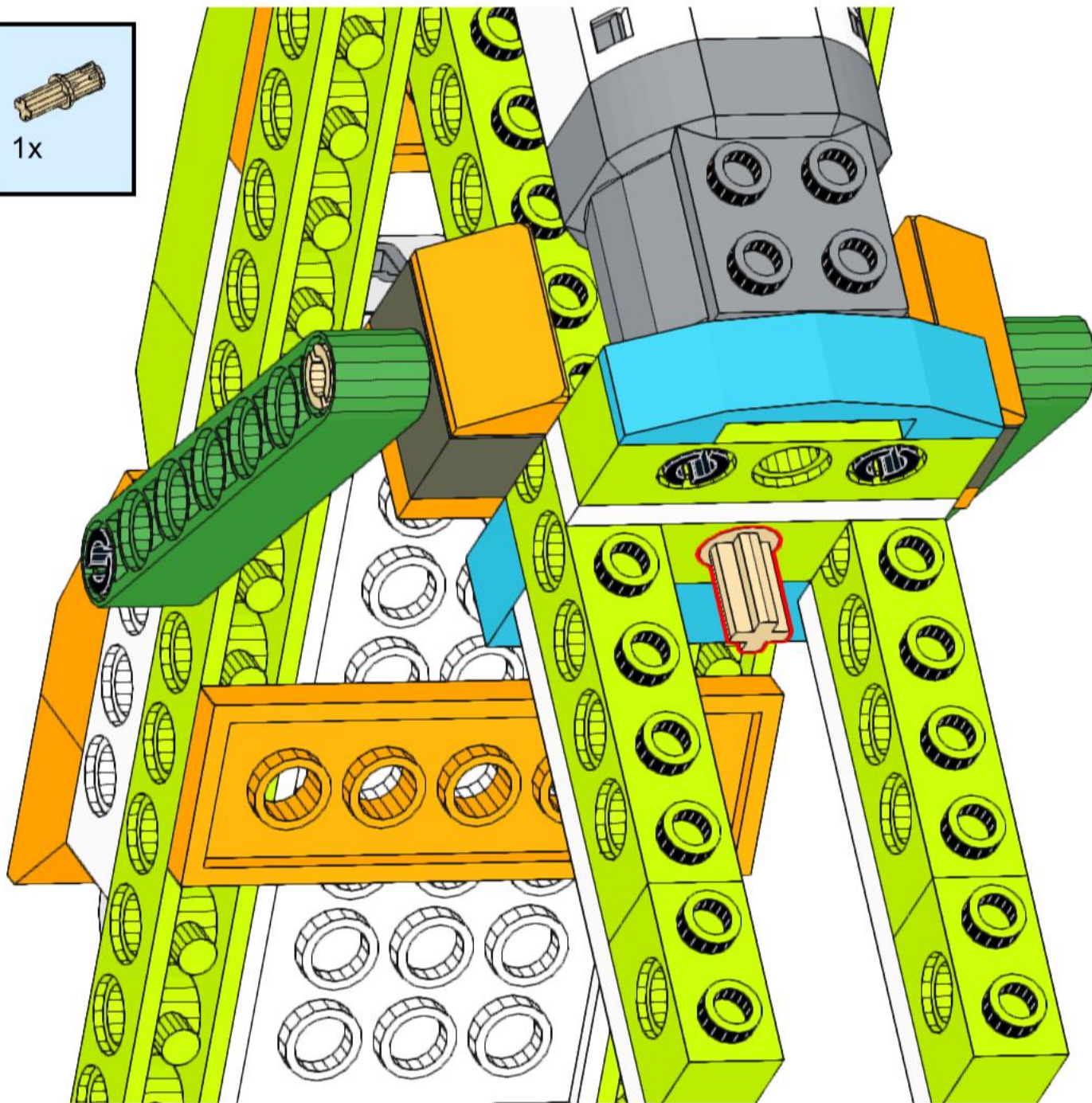
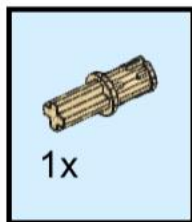
# 39



# 40

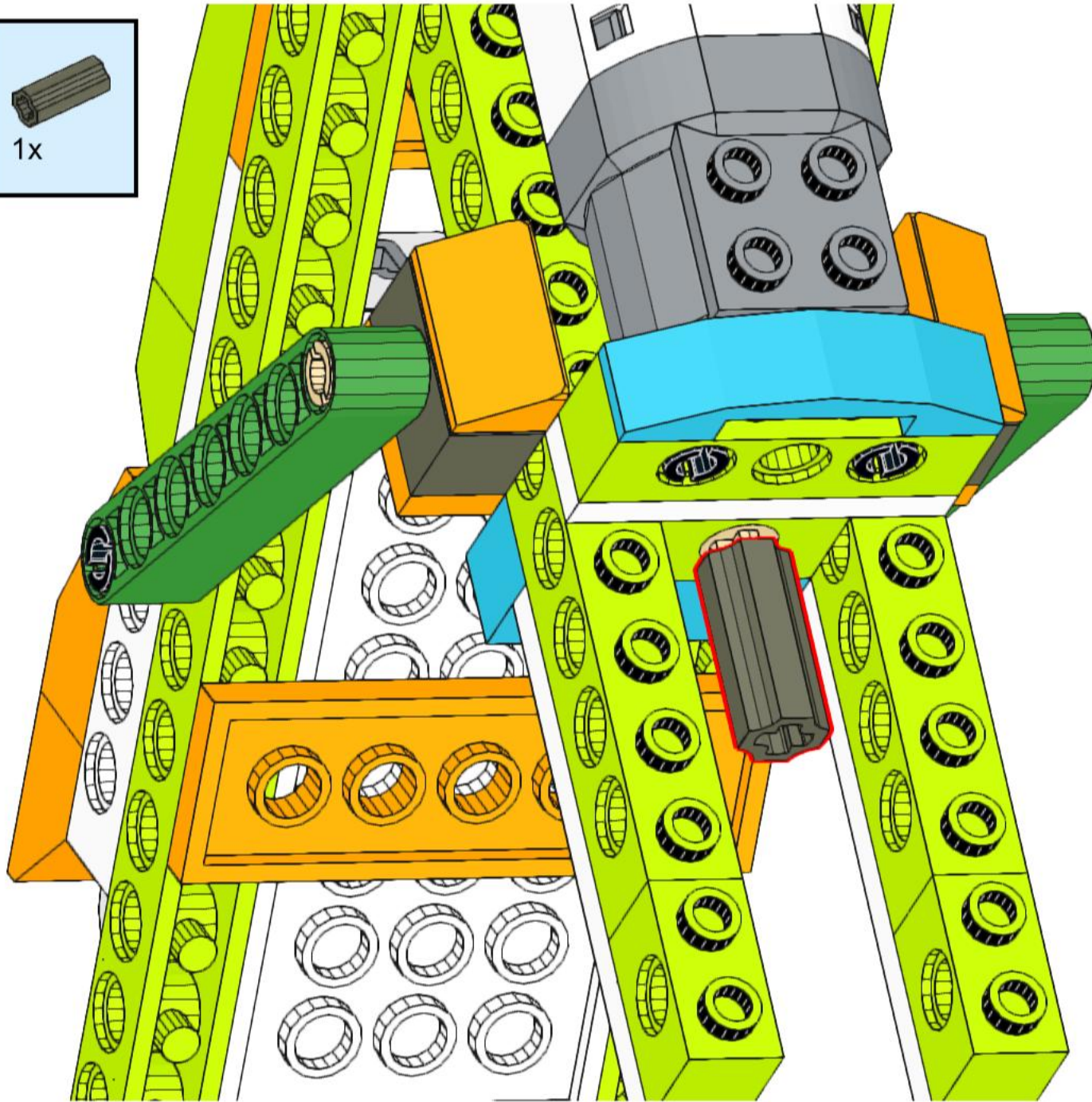
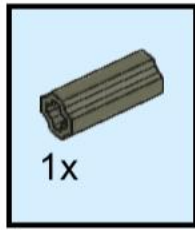


# 41

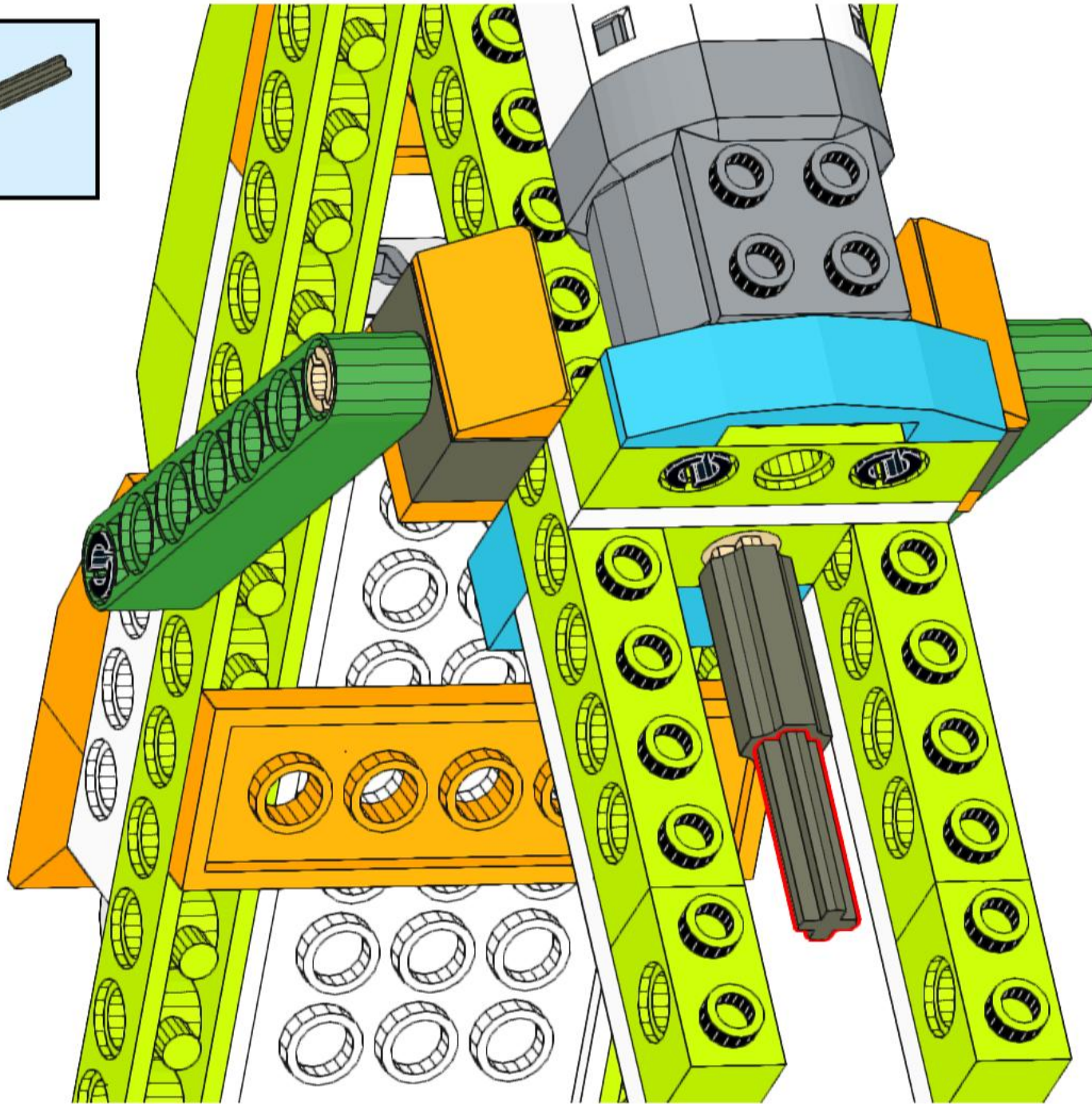
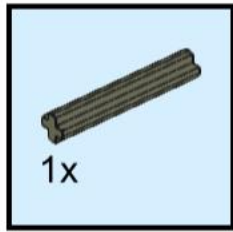




# 42

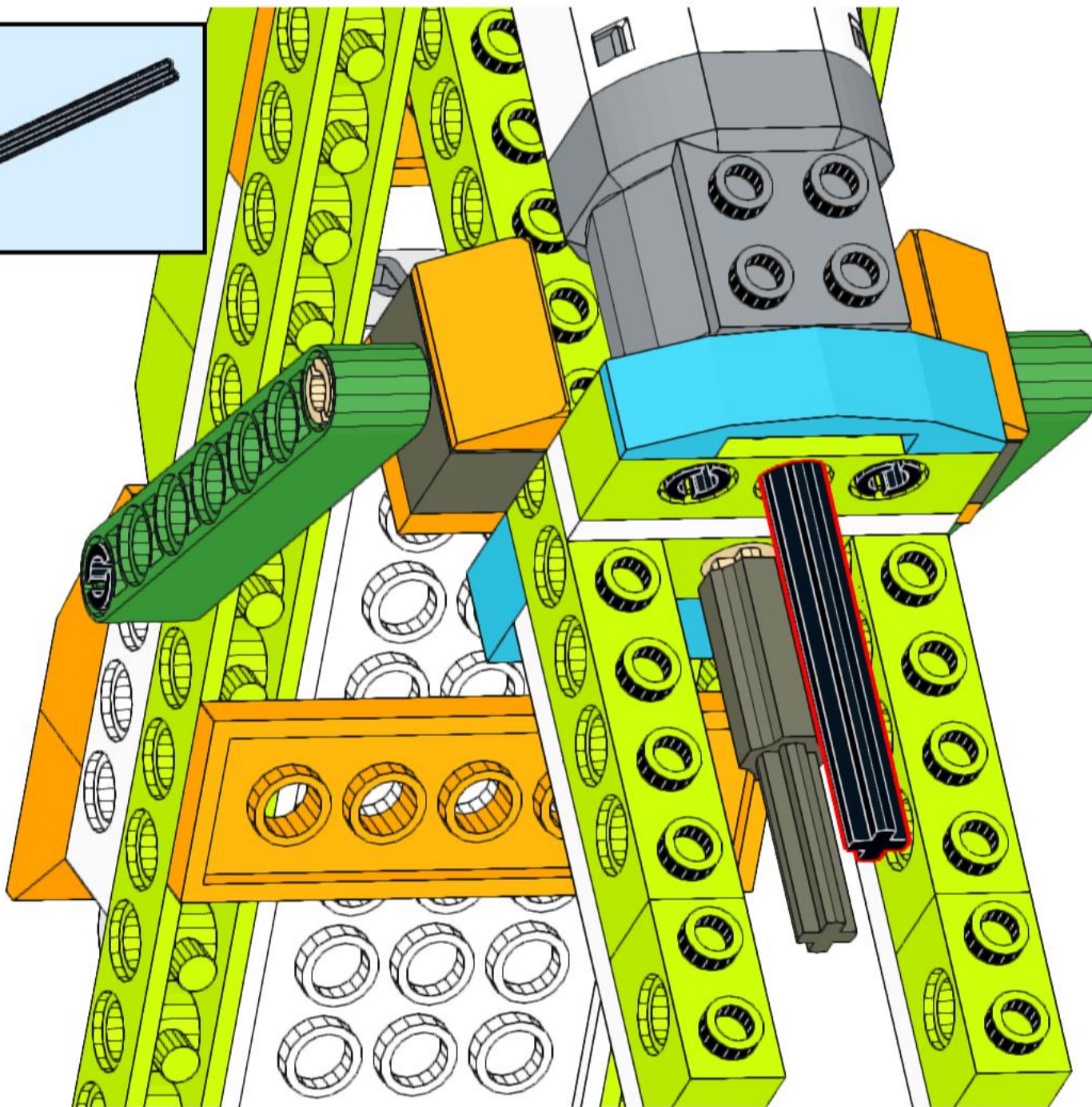
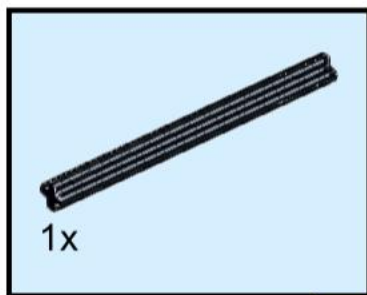


# 43



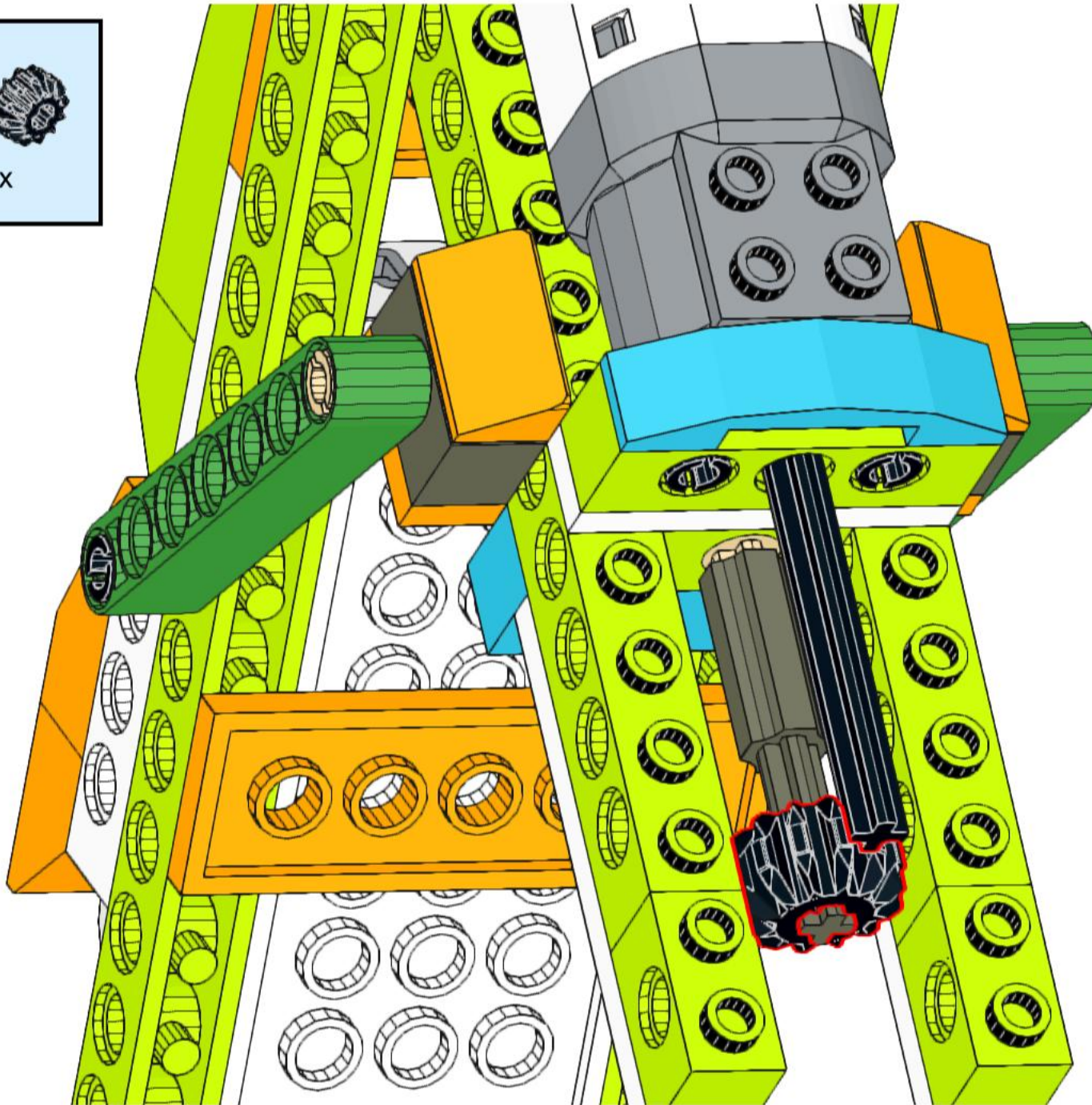


# 44

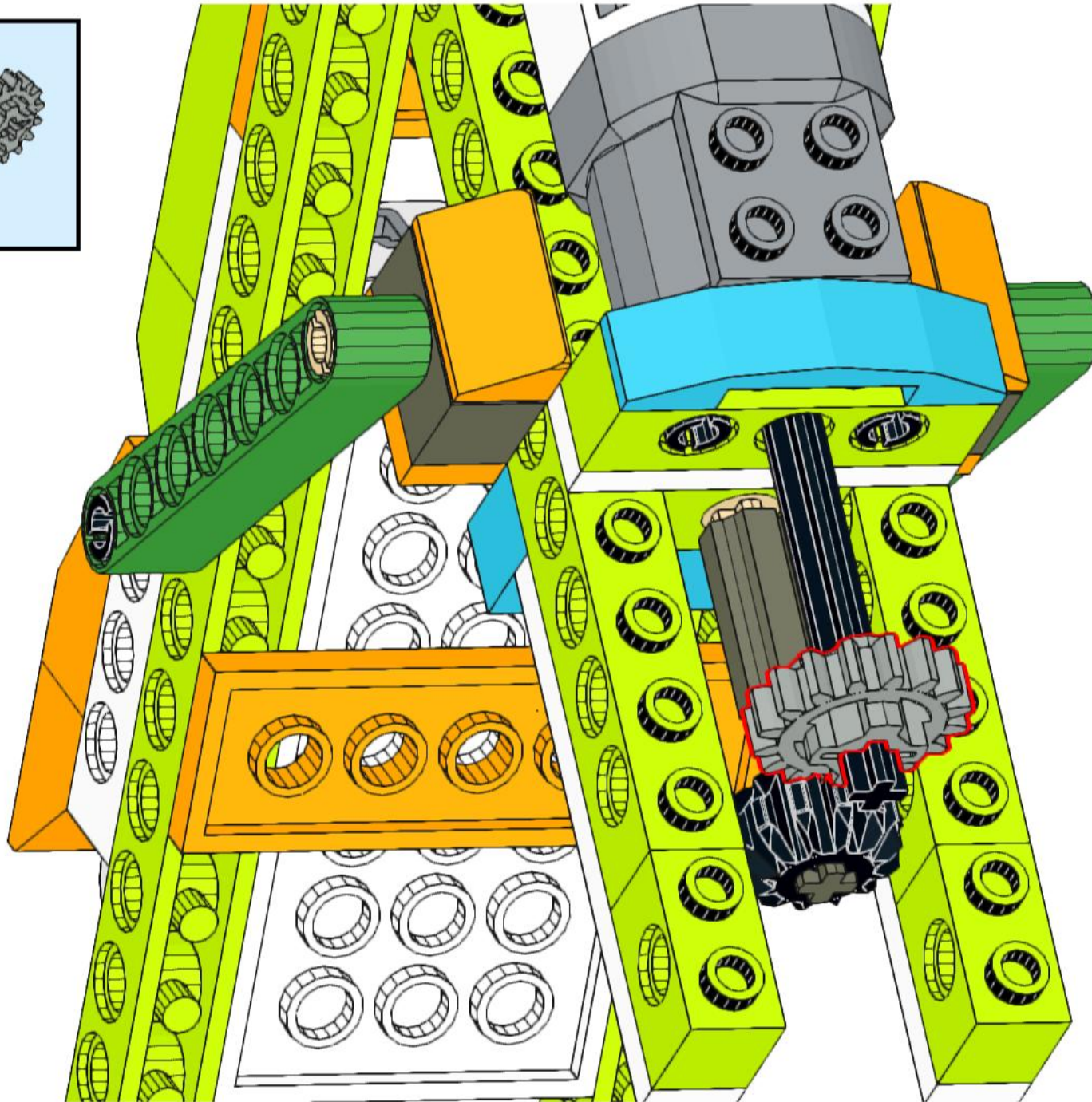
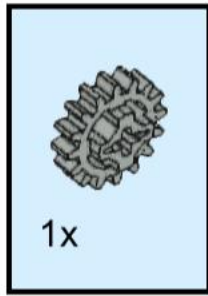




# 45

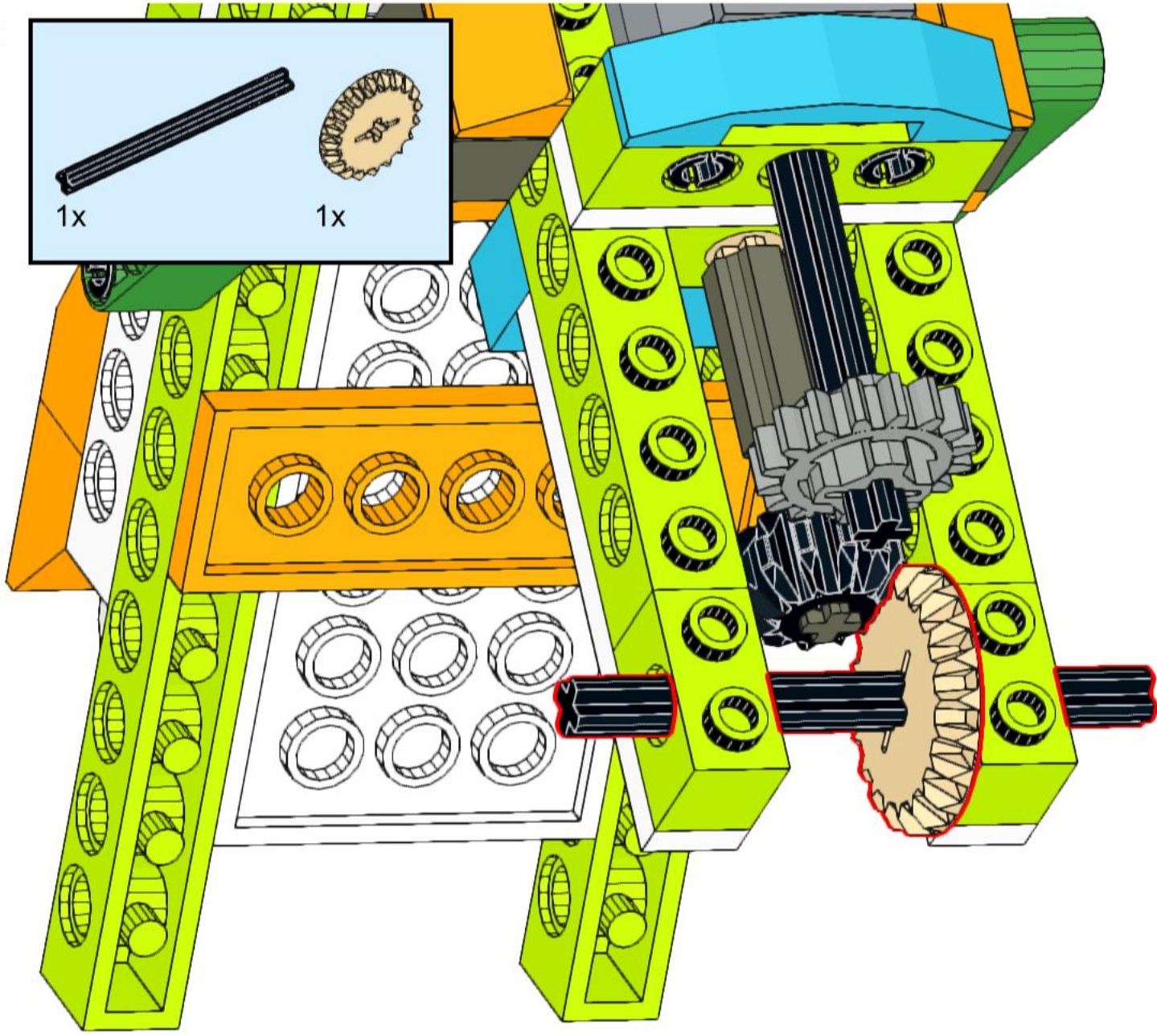


# 46



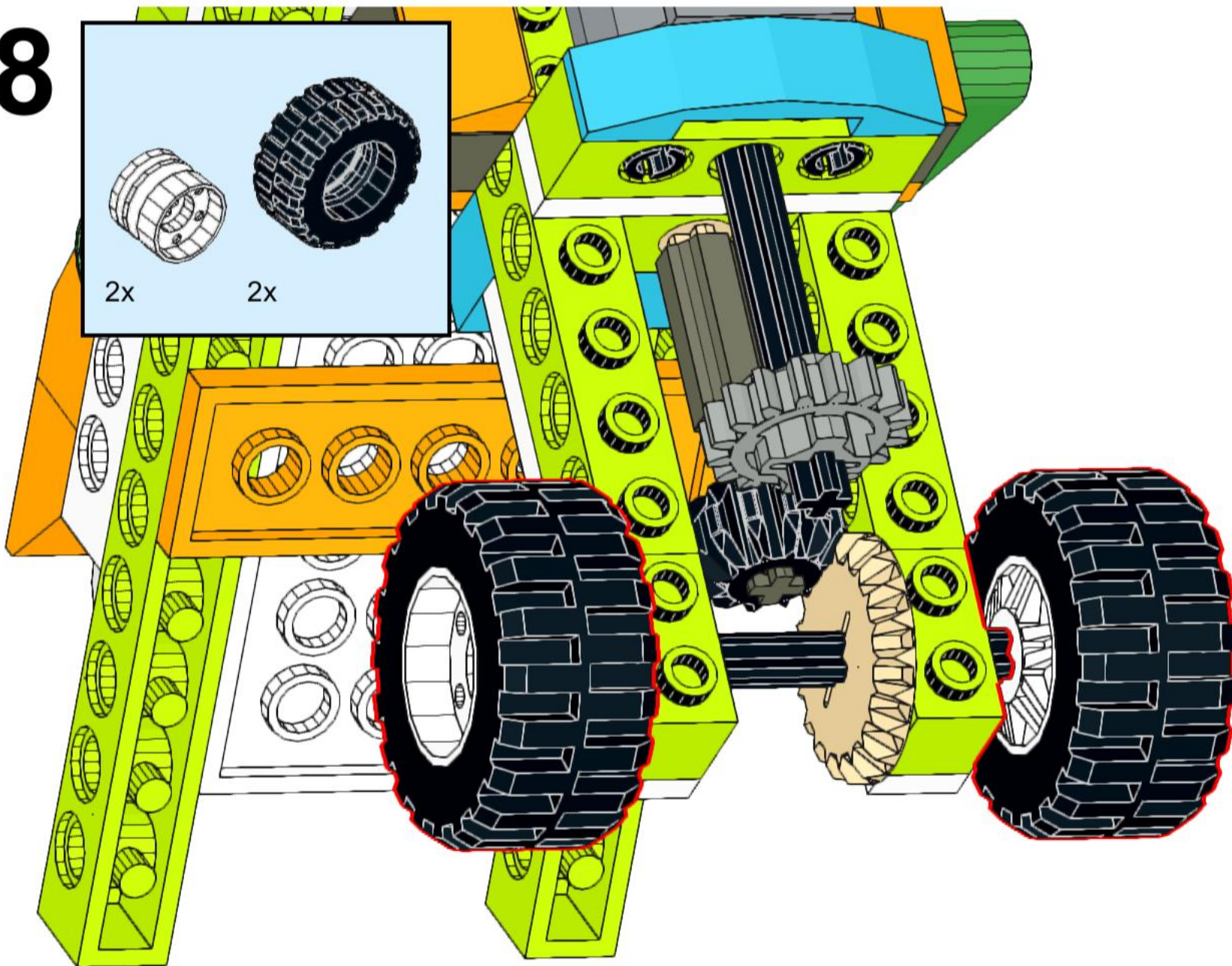


# 47

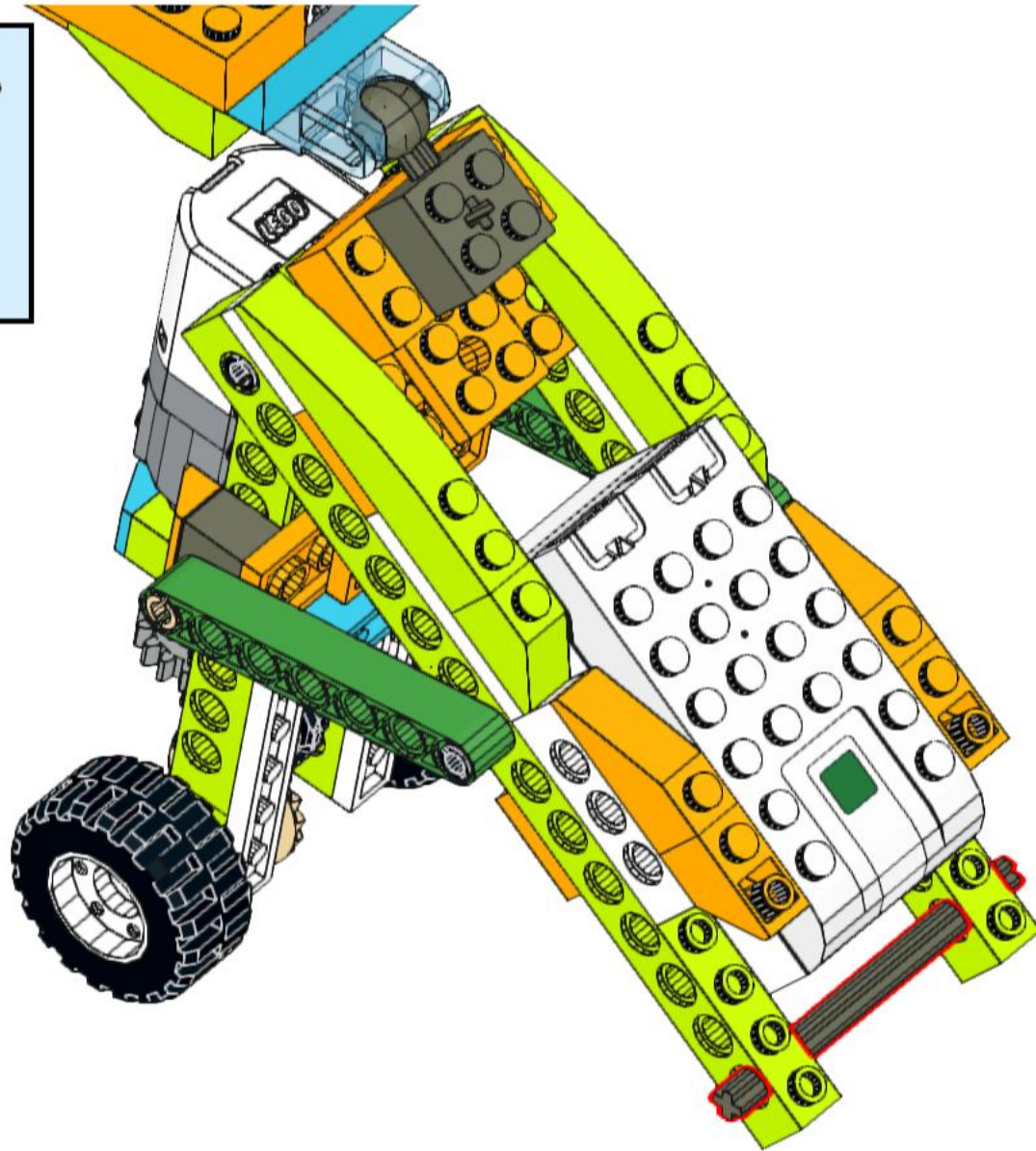
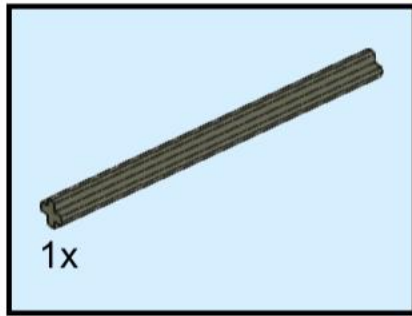




48

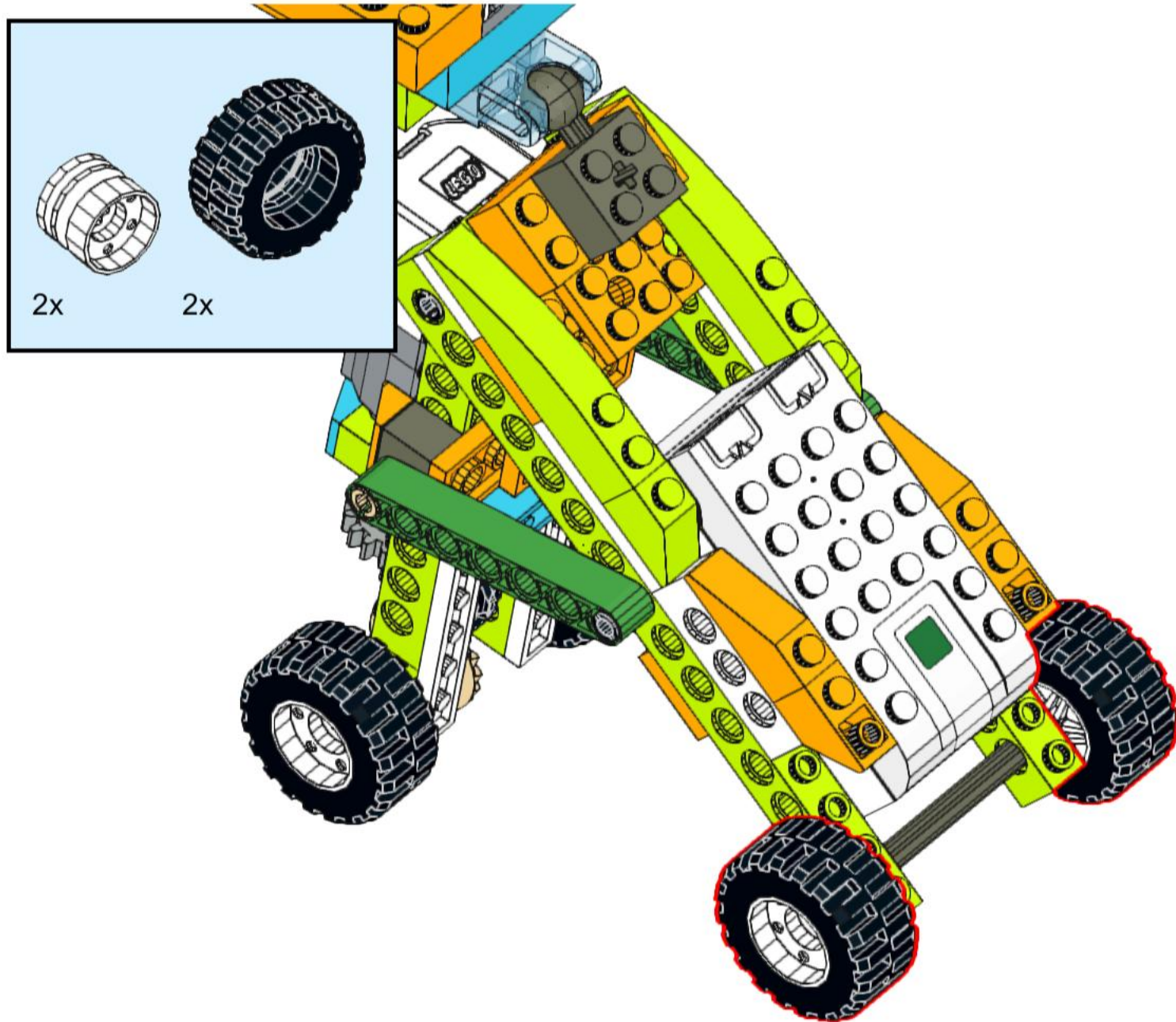


# 49





# 50





51

